

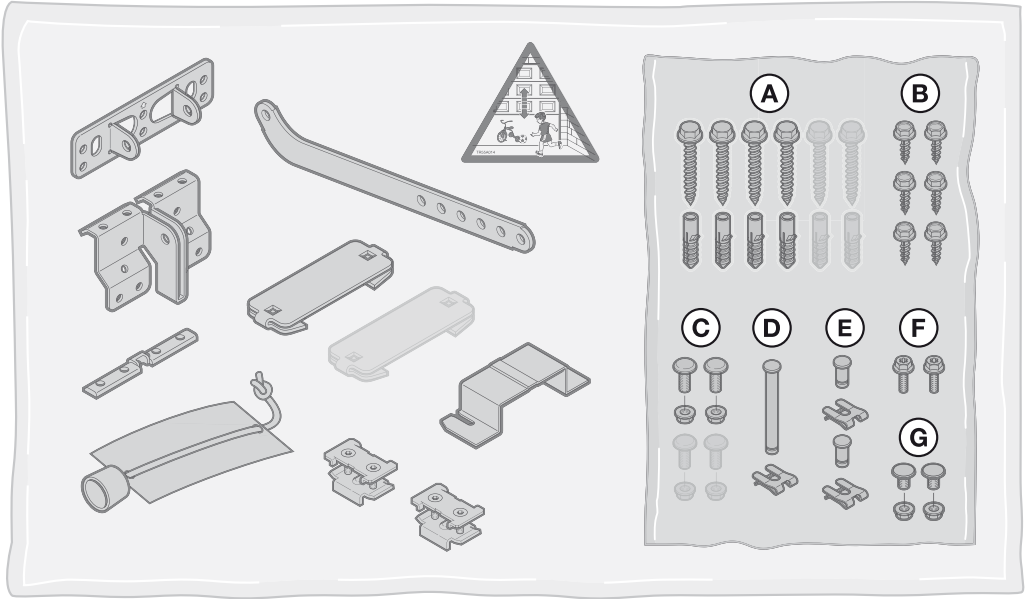
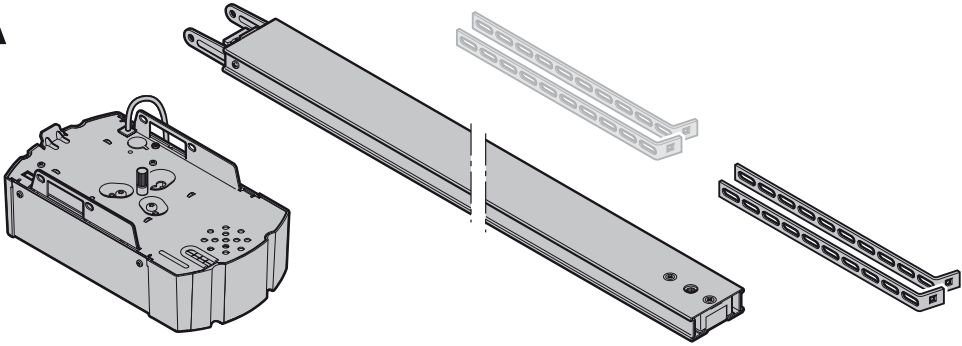
TR10A020-B RE / 07.2010

Instructions for Fitting, Operating and Maintenance

Garage Door Operator

Instructions de montage, d'utilisation et d'entretien

Motorisation de porte de garage

A**B**

13 mm



10 mm



T 30



4 mm



Ø 10 mm



Ø 5 mm



ENGLISH 4

FRANÇAIS 21



..... 40

Table of Contents

A	Articles supplied	2		
B	Tools needed for assembly	2		
1	About These Instructions	5		
1.1	Further applicable documents	5		
1.2	Warnings used	5		
1.3	Definitions used	5		
1.4	Symbols used	5		
1.5	Abbreviations used	6		
2	⚠ Safety Instructions	6		
2.1	Intended use	6		
2.2	Non-intended use	6		
2.3	Fitter qualification	6		
2.4	Safety instructions for fitting, maintenance, repairs and disassembly of the door system	6		
2.5	Safety instructions for fitting	6		
2.6	Safety instructions for initial start-up and for operation	7		
2.7	Safety instructions for using a radio system	7		
2.8	Approved safety devices	7		
3	Fitting	7		
3.1	Inspect door/door system	7		
3.2	Clearance required	7		
3.3	Fitting the garage door operator	8		
3.4	Fitting the operator boom	8		
3.5	Fixing the warning sign	9		
3.6	Garage door operator electrical connection	9		
3.7	Connecting additional components/accessories	9		
4	Putting into Service	10		
4.1	Notes on the operator control	10		
4.2	Menu selection	11		
4.3	Control behaviour during initial start-up	11		
4.4	MENU J – Adjust/set the door type	11		
4.5	MENU 1 – Learning run/teaching in the operator	11		
4.6	Resetting the control/restoring factory settings	12		
5	Radio System	12		
6	Selecting Functions	12		
6.1	MENU P	12		
6.2	MENU 2	13		
6.3	MENU 0 – Normal operation	13		
7	Special Menus	13		
7.1	Selecting special menus	13		
7.2	Notes on the special menus	13		
7.3	MENU 3 – Automatic timed closing	14		
7.4	MENU 4 – Safety devices	14		
7.5	MENU 5 – Setting the pre-warning time, option relay, and maintenance display	14		
7.6	MENU 6 – Force limit in the CLOSE direction	15		
7.7	MENU 7 – Behaviour in the CLOSE direction	15		
7.8	MENU 8 – Force limit in the OPEN direction	15		
7.9	MENU 9 – Behaviour in the OPEN direction	15		
7.10	MENU A – Maximum force	16		
8	Operation	16		
8.1	Instructing users	17		
8.2	Function check	17		
8.3	Functions of various radio codes for external 3-channel receivers	17		
8.4	Behaviour during a power failure	17		
8.5	Behaviour following a power failure	17		
9	Inspection and Maintenance	17		
9.1	Replacement bulb	18		
10	Dismantling and Disposal	18		
11	Warranty Conditions	18		
11.1	Performance	18		
12	Excerpt from the Declaration of Incorporation	18		
13	Technical Data	19		
13.1	Operator	19		
14	Displays for Errors/Warnings and Operating Conditions	20		
14.1	Display of errors and warnings	20		
14.2	Display of the operating conditions of the operator	20		
	Illustrated section	40		



* Accessory, not included as standard equipment!

Dissemination as well as duplication of this document and the use and communication of its content are prohibited unless explicitly permitted. Noncompliance will result in damage compensation obligations. All rights reserved in the event of patent, utility model or design model registration. Subject to changes.

Dear customer,
We are delighted that you have chosen a high-quality product from our company.

1 About These Instructions

These instructions are **original instructions** as outlined in the EC Directive 2006/42/EC. Read through all of the instructions carefully, as they contain important information about the product. Pay attention to and follow the instructions provided, particularly the safety instructions and warnings.





Please keep these instructions in a safe place and make sure that they are available to all users at all times.

1.1 Further applicable documents

The following documents for safe handling and maintenance of the door system must be placed at the disposal of the end user:

- These instructions
- The enclosed test log book
- The garage door operating instructions

1.2 Warnings used

	The general warning symbol indicates a danger that can lead to injury or death . In the text, the general warning symbol will be used in connection with the caution levels described below. In the illustrated section, an additional instruction refers back to the explanation in the text.
 DANGER	Indicates a danger that leads directly to death or serious injuries.
 WARNING	Indicates a danger that can lead to death or serious injuries.
 CAUTION	Indicates a danger that can lead to minor or moderate injuries.
ATTENTION	Indicates a danger that can lead to damage or destruction of the product.

1.3 Definitions used

Automatic timed closing

Automatic timed closing of the door after a set time has elapsed and after reaching the *OPEN* end-of-travel position or partial opening.

Impulse sequence control

With each push of the button, the door is started against the previous direction of travel, or the motion of the door is stopped.

Learning runs

Door travels in which the travel and the forces needed for moving the door are taught in.

Normal operation

Door travel with the taught-in travel distances and forces.

Safety reversal

Door travel in the opposite direction when the safety device or force limit is activated.

Reversal limit

If a safety device is activated, door travel is triggered in the opposite direction (reverse cycle) up to the reversal limit shortly before the *CLOSE* end-of-travel position. If this limit is passed, no reversal occurs to ensure that the door reaches the end-of-travel position without disrupting travel.

Partial opening

Individually adjustable second opening height to ventilate the garage.

Path of travel

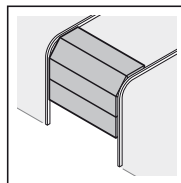
The distance the door takes to traverse from the *OPEN* end-of-travel position to the *CLOSE* end-of-travel position.

Pre-warning time

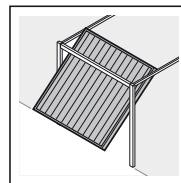
The time between the travel command (impulse) and the start of travel.

1.4 Symbols used

The illustrated section shows how to fit an operator on a sectional door. Deviations for fitting with an up-and-over door are also shown. For this purpose, the following letters are assigned to the figures:



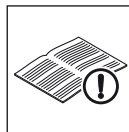
a = Sectional door



b = Up-and-over door

All dimensions in the illustrated section are in [mm].

Symbols:



See text section

In the example, **2.2** means: See text section, section 2.2



Important advice to prevent injury to persons and damage to property



High exertion of force



Check for smooth running



Use protective gloves



Slow flashing in the 7-segment display



Rapid flashing in the 7-segment display

1.5 Abbreviations used

Colour code for cables, single conductors and components	
The abbreviations of the colours for identifying the cables, conductors and components comply with the international colour code according to IEC 757:	
WH	White
BN	Brown
GN	Green
YE	Yellow
Article designations	
HE 2	2-channel receiver
HE 3	3-channel receiver
IT 1b	Internal push button with illuminated impulse button
IT 3b	Internal push button with illuminated impulse button, additional buttons for light on/off and operator on/off
EL 101	One-way photocell
STK	Wicket door contact
SKS	Activating kit for closing edge safety device
VL	Activating kit for leading photocell
HSM 4	4-button mini hand transmitter
HOR 1	Option relay
UAP 1	Universal adapter print
HNA 18	Emergency battery
SLK	Yellow LED warning light

2  Safety Instructions

ATTENTION:

IMPORTANT SAFETY INSTRUCTIONS.
FOR THE SAFETY OF PERSONS, IT IS IMPORTANT TO COMPLY WITH THE FOLLOWING INSTRUCTIONS. THESE INSTRUCTIONS MUST BE KEPT.

2.1 Intended use

The garage door operator is intended for impulse operation of spring compensated sectional and up-and-over doors, as well as counterbalanced retractable up-and-over doors. Depending on the type of operator, the operator can be used in private/non-commercial areas or in commercial areas (e.g. in underground and collective garages).

Note the manufacturer's specifications regarding the door and operator combination. Potential hazards as outlined in DIN EN 13241-1 are avoided by construction and fitting according to our guidelines. Door systems which are located in a public area and only have one protective device, such as a force limit, may only be operated under supervision.

The garage door operator is designed for operation in dry areas.

2.2 Non-intended use


The operator must not be used for doors without a safety catch.

2.3 Fitter qualification

Only correct fitting and maintenance in compliance with the instructions by a competent/specialist company or a competent/qualified person ensures safe and flawless operation of the system. According to EN 12635, a specialist is a person with suitable training, specialist knowledge and practical experience sufficient to correctly and safely fit, test, and maintain a door system.

2.4 Safety instructions for fitting, maintenance, repairs and disassembly of the door system

 DANGER
Compensating springs are under high tension
▶ See warning in Section 3.1

 WARNING
Danger of injury due to unexpected door travel
▶ See warning in Section 9



Fitting, maintenance, repairs, and disassembly of the door system and garage door operator must be performed by a specialist.


- ▶ In the event of a failure of the garage door operator, a specialist must be commissioned immediately for the inspection or repair work.

2.5 Safety instructions for fitting

The specialist must ensure that the applicable regulations on occupational safety, as well as the regulations on the operation of electrical devices, are followed during assembly work. In the process, the relevant national guidelines must be observed. Potential hazards as outlined in DIN EN 13241-1 are avoided by construction and fitting according to our guidelines.

The garage ceiling must guarantee secure fastening of the operator. For ceilings which are too high or too light, the operator must be fastened on additional struts.

	 DANGER
Mains voltage	
▶ See warning in Section 3.6	

 WARNING
Unsuitable fixing material
▶ See warning in Section 3.3
Danger to life from the rope
▶ See warning in Section 3.3
Danger of injury due to unwanted door travel
▶ See warning in Section 3.3

2.6 Safety instructions for initial start-up and for operation

WARNING

Danger of injury during door travel

- ▶ See warning in Section 4

CAUTION

Danger of crushing in the boom

- ▶ See warning in Section 4

Danger of injury from the cord knob

- ▶ See warning in Section 4

Danger of injuries due to the hot lamp

- ▶ See warning in Section 4 and Section 8

Danger of injury due to the force value being set too high

- ▶ See warning in Section 7.6 and Section 7.8

Danger of injury resulting from uncontrolled door movement in the *CLOSE* direction if the torsion spring breaks and the slide carriage is released.

- ▶ See warning in Section 8

2.7 Safety instructions for using a radio system

WARNING

Danger of injury during door travel

- ▶ See warning in Section 5

CAUTION

Danger of injuries due to unwanted door travel

- ▶ See warning in Section 5

2.8 Approved safety devices

Safety relevant functions or components of the control from our company, such as the power limit, external photocells/switching strips, when installed, have been designed and approved in accordance with category 2, PL "c" of EN ISO 13849-1:2008.

WARNING

Danger of injuries due to faulty safety equipment

- ▶ See warning in Section 4.5.1

3 Fitting

ATTENTION:

IMPORTANT INSTRUCTIONS FOR SAFE INSTALLATION.

OBSERVE ALL INSTRUCTIONS, INCORRECT FITTING COULD RESULT IN SERIOUS INJURY.

3.1 Inspect door/door system

DANGER

Compensating springs are under high tension

Serious injuries may occur while adjusting or loosening the compensating springs!

- ▶ For your own safety, only have a specialist conduct work on the door compensating springs and, if necessary, maintenance and repair work!
- ▶ Never try to replace, adjust, repair or reposition the compensating springs for the counterbalance of the door or the spring mountings yourself.
- ▶ Furthermore, inspect the entire door system (joints, door bearings, cables, springs and fastening parts) for wear and possible damage.
- ▶ Check for the presence of rust, corrosion, and cracks.

A fault in the door system or an incorrectly aligned door may lead to serious injuries!

- ▶ Do not use the door system if repair or adjustment work must be conducted!

The design of the operator is not suitable nor intended for the opening and closing of sluggish doors, i.e. doors that can no longer be opened or closed manually, or can only be opened/closed manually with difficulty.

The door must be in perfect mechanical condition and balanced, so that it is easy to operate by hand (EN 12604).

- ▶ Lift the door by approx. one meter and let it go. The door should stay in this position and **neither** move downward nor upward. If the door does move in either direction, there is a danger that the compensating springs/weights are not properly adjusted or are defective. In this case, increased wear and malfunctioning of the door system can be expected.
- ▶ Check whether the door can be opened and closed correctly.
- ▶ The mechanical locking devices of the door that are not needed with a garage door operator must be put out of commission. This especially includes the locking mechanisms of the door lock (see Section 3.3).
- ▶ **Change to the illustrated section for the fitting and initial operation. Observe the respective text section when you are prompted to by the symbol for the text reference.**


3.2 Clearance required

The clearance between the highest point of the door and the ceiling (also when opening the door) must be at least 30 mm (see Figures 1.1a/1.2b).



- ▶ Check this dimension!

If the clearance is smaller, the operator can also be mounted behind the opened door if enough space is available. In such cases, an extended fitting bracket has to be used, which must be ordered separately. In addition, the garage door operator can be arranged up to max. 50 cm off-centre. Exceptions are sectional doors with a high-lift (high-lift track application H); a special fitting is required for this arrangement. The electrical outlet necessary for the electrical connection should be fitted approx. 50 cm from the operator head. Please check these dimensions!

3.3 Fitting the garage door operator

 WARNING
<p>Unsuitable fixing material</p> <p>Use of unsuitable fixing material may mean that the operator is insecurely attached and could come loose.</p> <ul style="list-style-type: none"> ▶ The fitter must check that the fitting materials supplied are suitable for the purpose and the intended fitting location. ▶ Only use the provided fixing materials (plugs) in concrete \geq B15 (see Figures 1.6a/1.8b/2.4).

 WARNING
<p>Danger to life from the rope</p> <p>A running rope may lead to strangulation.</p> <ul style="list-style-type: none"> ▶ Remove the rope while fitting the operator (see Figure 1.2a).

 WARNING	
<p>Danger of injury due to unwanted door travel</p> <p>Incorrect assembly or handling of the operator, may trigger unwanted door travel that may result in persons or objects being trapped.</p> <ul style="list-style-type: none"> ▶ Follow all the instructions provided in this manual. <p>Incorrectly attached control devices (e.g. buttons) may trigger unwanted door travel. Persons or objects may be trapped as a result.</p> <ul style="list-style-type: none"> ▶ Install control devices at a height of at least 1.5 m (out of the reach of children). ▶ Fit permanently installed control devices (such as buttons, etc.) within sight of the door, but away from moving parts. 	

ATTENTION
<p>Damage caused by dirt</p> <p>Drilling dust and chippings can lead to malfunctions.</p> <ul style="list-style-type: none"> ▶ Cover the operator during drilling work.

NOTE:

An emergency release is necessary for garages without a second entrance that prevents the possibility of being locked out; this must be ordered separately.

- ▶ Check the emergency release monthly for proper function.
1. Completely disassemble the mechanical door locking on the **sectional door** (see Figure 1.3a).
 2. For sectional doors with centre door locking, arrange the lintel joint and link bracket off-centre (see Figure 1.5a).
 3. With an off-centre reinforcement profile on the sectional door, fit the link bracket on the nearest reinforcement profile to the left or right (see Figure 1a).

NOTE:

In a deviation from figure 1.5a: Use the 5 x 35 woodscrews from the door accessory pack (hole \varnothing 3 mm) for timber doors.

4. The mechanical door locking on an **up-and-over door** must be rendered inoperable (see Figures 1.3b/1.4b/1.5b).
For door models not covered here, block the catches on site.

5. In a deviation from the Figures 1.6b/1.7b: The lintel joint and link bracket must be attached off-centre for up-and-over doors with ornamental iron door handles.

NOTE:

On N80 doors with timber infill, use the bottom holes on the lintel joint for fitting (see Figure 1.7b).

3.4 Fitting the operator boom

NOTES:

- Before the boom is fitted on the lintel or under the ceiling, the engaged slide carriage must be moved approx. 20 cm from the *CLOSE* end-of-travel position in the *OPEN* direction (see Section 3.4.1, *Boom operating modes*) (see Figure 2.1). This is no longer possible with an engaged carriage as soon as the end stops and operator have been fitted.
- For operators used in underground and collective garages, it is necessary to fix the boom under the ceiling of the garage using a second suspension (see Figure 2.4 and Figure 2.5).
- Only use the booms recommended by us for the garage door operators – depending on the respective purpose of use (see product information).

3.4.1 Boom operating modes

There are two different operating modes with the boom:

- Manual operation
- Automated operation


Manual operation

- ▶ See Figure 4

The slide carriage is disengaged from the belt lock to enable the door to be moved by hand.

For disengaging the slide carriage:

- ▶ Pull on the cord of the mechanical release.

 CAUTION
<p>Danger of injury resulting from uncontrolled door movement in the <i>CLOSE</i> direction if the torsion spring breaks and the slide carriage is released.</p> <p>The slide carriages may decouple automatically unless a retrofit set is fitted.</p> <ul style="list-style-type: none"> ▶ The fitter responsible must install a retrofit set on the slide carriage if the following prerequisites are at hand: <ul style="list-style-type: none"> – The standard DIN EN 13241-1 applies. – The garage door operator is retrofitted to a Hörmann sectional door without spring safety device (BR30) by a technical expert. <p>This set comprises a screw that secures the slide carriage against uncontrolled unlocking as well as a new cord knob sign where the images show how the set and the slide carriage can be handled for the two operating modes of the operator boom.</p> <p>NOTE:</p> <p>The use of an emergency release or an emergency release lock is not possible in conjunction with the retrofit set.</p>

Automated operation

- ▶ See Figure 6

The belt lock is engaged in the slide carriage to enable the door to be moved with the operator.

For preparing the slide carriage for engaging:

1. Press the green knob.
2. Move the belt in the direction of the slide carriage until the belt lock engages.

 **CAUTION**
Danger of crushing in the boom

Do not reach into the boom with your fingers during door travel, as this can cause crushing.

- ▶ Do not reach into the boom during door travel

3.4.2 Determining the door end-of-travel positions by fitting the end stops

1. Loosely position the end stop for the *OPEN* end-of-travel position in the boom between the slide carriage and operator.
2. Push the door into the *OPEN* end-of-travel position by hand. This will push the end stop into the correct position.
3. Tighten the end stop for the *OPEN* end-of-travel position (see Figure 5.1).

NOTE:

If the door should not reach the complete passage height in the *OPEN* end-of-travel position, the end stop can be removed so that the integrated end stop (on the operator head) is used.

4. Loosely position the end stop for the *CLOSE* end-of-travel position in the boom between the slide carriage and door.
5. Push the door into the *CLOSE* end-of-travel position by hand. This will push the end stop near to the correct position.
6. After reaching the *CLOSE* end-of-travel position move the end stop by approx. 1 cm in the *CLOSE* direction and fix the end stop (see Figure 5.2).

NOTE:

If the door cannot be easily pushed manually into the desired *OPEN* or *CLOSE* end-of-travel position, this means that the door mechanism is too stiff for operation with the garage door operator and must be inspected (see Section 3.1)!

3.4.3 Tension of the toothed belt



The toothed belt of the operator boom is tensioned optimally ex-factory. During the start-up and slow-down phase, with larger doors it is possible that the belt will briefly hang out of the boom profile. However, this does not result in any technical consequences and does not negatively affect the function and service life of the operator.

3.5 Fixing the warning sign

Fix the sign warning about getting trapped in a noticeable, cleaned and degreased place, for example, near to the permanently installed button for moving the operator.

- ▶ See Figure 8

3.6 Garage door operator electrical connection

	 DANGER
Mains voltage	
<p>Contact with the mains voltage presents the danger of a deadly electric shock.</p> <p>For that reason, observe the following warnings under all circumstances:</p> <ul style="list-style-type: none"> ▶ Electrical connections may only be made by a qualified electrician. ▶ The on-site electrical installation must conform to the applicable protective regulations (230/240 V AC, 50/60 Hz)! ▶ The mains plug must be disconnected before any work is performed on the operator. 	

ATTENTION**External voltage on the connecting terminals**

External voltage on the connecting terminals of the control will destroy the electronics.

- ▶ Do not apply any mains voltage (230/240 V AC) to the connecting terminals on the control.

To prevent malfunctions:

- ▶ The connection cables of the operator (24 V DC) must be laid in a separate installation system from the other supply cables (230 V AC).

3.6.1 Electrical connection/connecting terminals

- ▶ See Figure 9
- ▶ Remove the plug cover to access the connecting terminals.

NOTE:

All connecting terminals can be assigned several times. However, observe the following thicknesses (see Figure 10):

- Minimum thickness: 1 x 0.5 mm²
- Maximum thickness: 1 x 2.5 mm²

Accessories with special functions can be connected to the BUS connecting terminal.

3.7 Connecting additional components/accessories

NOTE:

Loading of the operator by all accessories: max. **250 mA**.

3.7.1 Connecting an external radio receiver *

An external receiver can be connected to this garage door operator. Insert the plug of the receiver in the corresponding slot (see Figure 9).

NOTE:

The aerial wire of the radio receiver should not come into contact with metal objects (nails, bracing, etc.). The best orientation to achieve an optimum range must be established by trial and error. When used at the same time, GSM 900 mobile phones can affect the range of the radio remote control.

With a 2-channel receiver, the first channel is always for the impulse sequence control function. The second channel can be used to actuate the operator light or for partial opening (see Section 6.2.3).

3.7.2 External impulse button * to start or stop door runs

One or more buttons with normally open contacts (volt-free), such as internal push buttons or key switches, can be connected in parallel (see Figure 11).

3.7.3 Internal push button IT 3b *

- ▶ See Figure 12

3.7.4 Impulse button to start or stop door runs

- ▶ See Figure 12.1

3.7.5 Light button to switch the operator light on and off

- ▶ See Figure 12.2

3.7.6 Button to switch all control elements on and off

- ▶ See Figure 12.3

* Accessory, not included as standard equipment!

3.7.7 2-wire photocell * (dynamic)

NOTE:

Follow the fitting instructions when mounting photocells.

- ▶ Connect the photocell as shown in Figure 13.

After the photocell triggers, the operator stops and a safety reversal of the door is performed to the *OPEN* end-of-travel position.

3.7.8 Self-testing wicket door contact *

- ▶ Connect wicket door contacts that switch to ground (0 V) as shown in Figure 14.

3.7.9 Closing edge safety device *

- ▶ Connect closing edge safety devices that switch to ground (0 V) as shown in Figure 15.

After the closing edge safety device triggers, the operator stops and the door reverses in the *OPEN* direction.

3.7.10 Option relay HOR 1 *

- ▶ See Figure 16

Option relay HOR 1 is required to connect an external lamp or warning light (programming via menu 5).

3.7.11 Universal adapter print UAP 1 *

- ▶ See Figure 17


The universal adapter print UAP 1 can be used:

- For choosing a direction (Open/Stop/Close) via external control elements
- For control of the operator light and second opening height via external command units
- For *OPEN* and *CLOSE* limit switch reporting
- For the option relay (programming via menu 5).


3.7.12 Emergency battery HNA 18 *


- ▶ See Figure 18


To enable door movement in the event of a mains failure, an optional emergency battery can be connected. In the case of a mains failure, the system automatically switches to battery operation. During battery operation, the operator light remains switched off.


 WARNING
Danger of injury due to unexpected door travel Unexpected door travel can result when the emergency battery is still connected despite the mains plug being pulled out.
▶ Pull out the mains plug and the plug of the emergency battery when performing all work on the door system.

4 Putting into Service

 WARNING
Danger of injury during door travel If people or objects are in the area around the door while the door is in motion, this can lead to injuries or damage.
<ul style="list-style-type: none"> ▶ Children are not allowed to play near the door system. ▶ Make sure that no persons or objects are in the door's travel range. ▶ If the door system has only one safety feature, only operate the garage door operator if you are within sight of the door's area of travel. ▶ Monitor the door travel until the door has reached the end-of-travel position. ▶ Only drive or pass through remote control door systems if the door is in the <i>OPEN</i> end-of-travel position! ▶ Never stay standing under the open door.

 CAUTION
Danger of crushing in the boom Do not reach into the boom with your fingers during door travel, as this can cause crushing.
▶ Do not reach into the boom during door travel.

 CAUTION
Danger of injury from the cord knob If you hang on the cord knob, you may fall and injure yourself. The operator could break away and injure persons or damage objects that are located underneath, or the operator itself could be destroyed.
▶ Do not hang on the cord knob with your body weight.

 CAUTION
Danger of injuries due to the hot lamp Touching the cold-light reflector lamp during or immediately following operation can lead to burns.
▶ Do not touch the cold-light reflector lamp if it is switched on or was recently switched on.

4.1 Notes on the operator control

The operator control includes 13 menus that contain many user functions.

However, two menus are needed for initial start-up of the operator.

- To adjust/set the door type (menu J)
- To teach in door travel (menu 1)

NOTE:

Menus **J**, **1**, **P** and **2** are initial start-up/function selection menus and customer menus; menus **3**, **4**, **5**, **6**, **7**, **8**, **9** and **A** are special menus and should only be changed if needed.

* Accessory, not included as standard equipment!

4.2 Menu selection

- ▶ Press the **PRG** button to select a menu.

If the operator has been taught in, the **PRG** button must be held down for 5 seconds in order to be able to change the menus.

Afterwards, switch to the next menu by pressing this button again. After reaching menu **P**, the display switches to menu **0**.

NOTE:

The menus are activated for approx. 60 seconds, after which the system goes back to menu **0**.

4.3 Control behaviour during initial start-up

During initial start-up, the control automatically switches to menu **J**.

- ▶ After you have set the door type, press the **PRG** button to go to menu **1**.

Once the learning runs have been completed, the system automatically goes to menu **0** (normal operation).

4.4 MENU J – Adjust/set the door type

- ▶ See Figure 21

NOTE:

Menu **J** can only be accessed during initial start-up or after resetting the system to the factory settings (see Section 4.6, Figure 33).

This menu helps you optimally adjust the operator to the respective door.

To be able to change a parameter:






- ▶ Press the **PRG** button until the display begins flashing rapidly.

To scroll through the menu:

- ▶ Press the  or .

To change a parameter:

1. Select the parameter to be set.
2. Press the **PRG** button until the decimal point also flashes.

Display	Operator on	Active settings		
		Menu 4	Menu 7	Menu 9
	Sectional door	0, 2, 5	1, 2, 5	1, 3, 5, 9
	Up-and-over door ¹⁾	0, 2, 5	0, 2, 5	1, 3, 5, 8
	Retractable up-and-over door ²⁾	0, 2, 5	1, 2, 5	0, 3, 6, 9
	Side sectional door, ...	0, 2, 5	1, 2, 5	1, 3, 5, 8, A
	Sliding door ⁴⁾	0, 4, 5	1, 2, 5	1, 3, 5, 8, b

1) A door swinging outwards

2) A door tilting inwards

3) Dependent on the operator type

4) With this door type, an 8k2 resistance contact strip must be fitted to the secondary closing edge for the *OPEN* direction and connected to the operator via the 8k2-1T decoder unit.

NOTE:

- ▶ Set parameter **3** for hinged doors.

If the door behaviour has to be changed:

- ▶ Select the required settings in menus **7** and **9**.

4.5 MENU 1 – Learning run/teaching in the operator

- ▶ With the **PRG** button, select menu **1**.

The operator is adjusted to the door in this menu. The travel length, required force for opening and closing, and any connected safety devices are automatically taught in and saved.

4.5.1 Teaching in the end-of-travel positions and connected safety devices

- ▶ See Figure 22

NOTES:

- Safety devices must be fitted and connected before teaching in the operator.
- If further safety devices are connected at a later point, a new learning run is required for automatic learning on the operator or the appropriate parameter must be manually set in menu **4**.




Before the first learning run in the *CLOSE* direction, the system checks whether any safety devices are connected. If this is the case, menu **4** is set automatically.

NOTE:

The slide carriage must be engaged (see Figure 6) and there may not be any obstructions in the function range of the safety devices!

- ▶ If needed, put the control into learning mode by switching to menu **1** with the **PRG** button.

A flashing **L** will appear in the display after the 1.

1. Press the  button.
The door will move to the *OPEN* end-of-travel position.
2. Press the  button.
The door moves to the *CLOSE* end-of-travel position. The door fully opens and a rapidly flashing **L** appears in the display.
3. Press the  button again.
The door moves to the *CLOSE* end-of-travel position. After the door reaches the *CLOSE* end-of-travel position, it automatically opens again completely. The next cycle (*CLOSE* and *OPEN*) will be automatically performed by the operator.

A number flashes after reaching the *OPEN* end-of-travel position. This indicates the maximum detected force.

NOTE:

The displays of the maximum detected force have the following meanings:

0-2 Optimum force conditions

3-9 Poor force conditions

The door system must be inspected or readjusted.

WARNING

Danger of injuries due to faulty safety equipment

In the event of a malfunction, there is a danger of injuries due to faulty safety equipment

- ▶ After the learning runs, the person commissioning must check the function(s) of the safety equipment as well as the settings in menu **4**.

The system is ready for operation only after this.

NOTE:

The garage door operator motor is equipped with thermal overload protection. If two fast *OPEN* cycles take place within two minutes, overload protection reduces the travel speed, i.e. *OPEN* and *CLOSE* runs are at the same speed. After a waiting period of two minutes, the next *OPEN* run will be fast.


4.6 Resetting the control/restoring factory settings

▶ See Figure 33

To reset the control:

1. Disconnect the mains plug and, if necessary, the plug of the emergency battery.
2. Press and hold the **PRG** button.
3. Reconnect the mains plug.
4. Release the **PRG** button once **C** is displayed.
5. Adjust the operator and teach it in.

5 Radio System

	<p>⚠ WARNING</p>
<p>Danger of injury during door travel Persons may be injured by door travel if the hand transmitter is actuated.</p>	
<ul style="list-style-type: none"> ▶ Make sure that the hand transmitters are kept away from children and can only be used by people who have been instructed on how the remote-control door functions! ▶ If the door has only one safety feature, only operate the hand transmitter if you are within sight of the door! ▶ Only drive or pass through remote control door systems if the door is in the OPEN end-of-travel position! ▶ Never stay standing under the open door. ▶ Please note that unintended door cycles may occur if a hand transmitter button is accidentally pressed (e.g. if stored in a pocket/handbag). 	

<p>⚠ CAUTION</p>
<p>Danger of injuries due to unwanted door travel Unwanted door travel may occur while teaching in the radio system.</p>
<ul style="list-style-type: none"> ▶ Pay attention that no persons or objects are in the door's travel range when teaching in the radio system.

<p>ATTENTION</p>
<p>Functional disturbances caused by environmental conditions These conditions can impair function! Protect the hand transmitter from the following conditions:</p> <ul style="list-style-type: none"> • Direct sunlight (perm. ambient temperature: -20°C to +60°C) • Moisture • Dust

Notes:

- If there is no separate garage entrance, perform all programming changes and extensions while standing in the garage.
- Perform a functional check after programming or extending the remote control system.
- Only use original components for the initial start-up or for extending the remote control system.
- Local conditions may affect the range of the radio system. Moreover, when used at the same time, GSM 900 mobile phones can affect the range.

6 Selecting Functions

NOTE:

In the menus that consist of several parameter blocks, only one parameter can be activated per block.

6.1 MENU P

The following functions can be set in this menu:

- *Partial opening position* (parameter 3)
- *SKS/VL reversal limit* (parameter 4)

Display	Radio	Function
(3)	–	Setting the <i>partial opening position</i>
(4)	–	<i>SKS/VL reversal limit</i> (SKS is preset)

6.1.1 Setting the partial opening position

▶ See Figure 23.1



NOTE:

The *Partial opening position* can only be set if the operator has been taught in.

Partial opening can be set in menu **P** via parameter **3**:

The display flashes slowly.

1. Press the **PRG** button until the decimal point flashes. The parameter is activated.
2. Move the door in press-and-hold operation with the ⬆ and ⬇ buttons.
3. Once the desired position is reached, press the **PRG** button until the display begins flashing rapidly. The decimal point goes out and the display flashes slowly.

NOTE:

The setting range for *Partial opening* is from the *OPEN* end-of-travel position to approx. 120 mm (slide travel) before the *CLOSE* end-of-travel position. The standard factory setting is approx. 260 mm (slide travel) before the *CLOSE* end-of-travel position.

6.1.2 Setting the SKS/VL reversal limit

▶ See Figure 23.2

NOTE:

The *SKS/VL reversal limit* can only be set under the following prerequisites:

- The operator has been taught in.
- Parameter **3** or **4** is activated in menu **4**.

In menu **P**, the *SKS/VL reversal limit* can be set via parameter **4**. The *SKS/VL reversal limit* is preset before the *CLOSE* end-of-travel position for the closing edge safety device.

To set the SKS/VL reversal limit:

1. Press the **PRG** button until the decimal point is illuminated. Parameter **4** is thus selected and activated.
2. Move the operator into the *OPEN* end-of-travel position with the ⬆ button.
3. Place a test body in the centre of the door (max. 300 x 50 x 16.25 mm, e.g. a folding rule) on the ground so that its smallest edge is towards the top and in the range of the leading photocell.
4. Press the ⬆ button.
 - The door moves until the test body is detected by the safety device.
 - The position is stored and checked for plausibility.

- The operator reverses.
- The display flashes rapidly if the procedure was successful.
- The parameter then flashes slowly without a decimal point.

5. Change to normal operation by pressing the **PRG** button (menu **0**).

6.2 MENU 2

1. With the **PRG** button, select menu **2**.
 - The menu number is always briefly displayed after selection.
 - Then the active menu parameter (switch-off delay) is displayed flashing rapidly with the decimal point.
2. Press the \uparrow or \downarrow button to scroll in the menu and select the parameter to be changed.
3. Press the **PRG** button until the decimal point flashes.
4. Change to normal operation by pressing the **PRG** button (menu **0**).

6.2.1 Operator light – Setting the switch-off delay

- ▶ See Figure 24.1

Menu **2** acts on the internal light relay.

If a parameter > 0 (**1 – 5**) is selected, the light relay is activated as soon as the door starts to move.

After the door has stopped moving, the operator light remains active for the set period (switch-off delay).

6.2.2 Operator light – Setting the illumination time, switched via radio/external button

- ▶ See Figure 24.2

The illumination time of the operator light can be set via parameters **6 – 9** and switched on via radio or an external button (e.g. internal push button IT3b).

The operator light can also be turned off ahead of time using the same control elements (radio or external button).

6.2.3 External radio

- ▶ See Figure 24.3

If an external 2-channel radio receiver is connected to the operator, you can select whether the second channel should be used to actuate the operator light (parameter **A**) or for partial opening (parameter **b**).

If an external 3-channel radio receiver is connected to the operator, no further settings need to be carried out.

NOTE:

The light cannot be switched on and off while the door is in motion.

Display	Function
Operator light switch-off delay	
(0)	Not active
(1)	1 minute
(2.)	2 minutes
(3)	3 minutes
(4)	4 minutes
(5)	5 minutes

Display	Function
Operator light/illumination time (radio, external button)	
(6)	Not active
(7.)	5 minutes
(8)	10 minutes
(9)	15 minutes
Radio/function of the 2nd channel	
(A.)	Operator light
(b)	Partial opening

- ▶ Change to normal operation by pressing the **PRG** button (menu **0**).

6.3 MENU 0 – Normal operation

During normal operation, the garage door operator works with the impulse sequence control, which is triggered via an external button or a taught-in radio code:

- 1st impulse: The door runs towards an end-of-travel position.
- 2nd impulse: The door stops.
- 3rd impulse: The door runs in the opposite direction.
- 4th impulse: The door stops.
- 5th impulse: The door runs in the direction of the end-of-travel position selected in the 1st impulse.

etc.

6.3.1 Garage door operator behaviour after two consecutive high-speed OPEN runs

NOTE:

The garage door operator motor is equipped with thermal overload protection. If two fast *OPEN* cycles take place within two minutes, overload protection reduces the travel speed, i.e. *OPEN* and *CLOSE* runs are at the same speed. After a waiting period of two minutes, the next *OPEN* run will be fast.

7 Special Menus

7.1 Selecting special menus

To access the special menus (menu 3 – menu A):

1. In menu **2**, press the \uparrow and \downarrow buttons simultaneously.
2. Then select the special menu via the **PRG** button.

7.2 Notes on the special menus

The menu number is always briefly displayed after selection. Then the first active menu parameter is displayed flashing slowly.

1. To scroll through the menu, press the \uparrow or \downarrow button. Active parameters are indicated by an illuminated decimal point.
2. To be able to change a parameter, press the **PRG** button until the display begins flashing rapidly.
3. To scroll through the menu, press the \uparrow or \downarrow button. The parameter that is active is identified by an illuminated decimal point.
4. To activate a parameter, press the **PRG** button until the decimal point is illuminated.

The system will change to the next menu if the **PRG** button is released too early.

If the operator is taught in and no button is pressed, the control automatically changes back to normal operation (menu 0).

7.2.1 7-segment display when switching from the customer menu to the special menus

NOTE:

When changing to the special menus, a number between 0 to 5 with a decimal point may flash in the 7-segment display, depending on the current setting in menu 2.

7.2.2 7-segment display after selecting a special menu

NOTE:

After selecting a special menu, a number between 0 to 9 with a decimal point may flash in the 7-segment display, depending on the menu. This number indicates the (first) active parameter.

7.3 MENU 3 – Automatic timed closing

► See Figure 25

NOTE:

Automatic timed closing can only be activated if at least one safety device is active (menu 4).

Display	Automatic timed closing
	Not active
	After 10 seconds
	After 20 seconds
	After 30 seconds
	After 45 seconds
	After 60 seconds
	After 90 seconds
	After 120 seconds
	After 150 seconds
	After 180 seconds

NOTE:

The door stops and opens again if the operator receives an impulse during automatic timed closing (menu 3, parameter > 0).

- Change to normal operation by pressing the **PRG** button (menu 0).

7.4 MENU 4 – Safety devices

► See Figure 26

Display	Function
Photocell	
	Not present
	Present (with dynamic testing)
SKS/VL without testing	
	Not present
	Already fitted
SKS/VL with testing	
	Already fitted
Wicket door contact with testing	
	Not present
	Already fitted

NOTE:

Safety devices without testing must be tested every six months.

- Change to normal operation by pressing the **PRG** button (menu 0).

7.5 MENU 5 – Setting the pre-warning time, option relay, and maintenance display

► See Figure 27

7.5.1 Maintenance display

If the maintenance display is activated (parameter A), the operator light will flash at the end of a door run if the specified maintenance interval for the door system has been exceeded.

The maintenance display can be reset after a learning run.

7.5.2 Overview of maintenance intervals

Operator for single/double garages

1 year operating time or 2,000 door cycles

Operator for underground and collective garages

1 year operating time or 10,000 door cycles

Display	Function
Pre-warning time/external with option relay *	
	Not active
	5 seconds
	10 seconds
Option relay *	
	Not active
	The relay clocks during the pre-warning time and door travel.
	The relay is on during door travel and the pre-warning time.
	The relay picks up with the operator light. It is on during the pre-warning time, if parameters 1 – 5 are activated in menu 2.
	The relay is on during door travel.
	The relay picks up for 1 second at the start of door travel or the pre-warning time, e.g. with a momentary impulse to switch stairwell lighting with 100% ON time.
Maintenance display	
	Not active
	Active

* Accessory, not included as standard equipment!

7.6 MENU 6 – Force limit in the CLOSE direction

► See Figure 28

The sensitivity of the automatic force limit for closing can be set in this menu (factory setting: parameter 4).

NOTE:

An increase in the force limit (parameter > 4) is only possible if parameter 3 has been selected in menu J.

CAUTION
<p>Danger of injury due to the force value being set too high (menu 6 and menu 8)</p> <p>When the force value is set too high, the force limit is less sensitive. This could lead to injury or damage.</p> <p>► Do not set a force value that is too high.</p>

A lower value can be selected for very easy-to-move doors if the sensitivity to obstructions should be increased.

► Change to normal operation by pressing the **PRG** button (menu 0).

7.6.1 Checking the forces in the CLOSE direction

If changing the settings in menu 6, the forces in the *CLOSE* direction must comply with standard EN 12453, i.e. an inspection is required afterwards.

7.7 MENU 7 – Behaviour in the CLOSE direction

► See Figure 29

The automatic belt relief, braking behaviour and speed in the *CLOSE* end-of-travel position can be influenced in this menu.

NOTE:

A learning run may be necessary after changing this menu.

Display	Function
Soft stop	
	Long
	Short
Relief	
	Automatic
	Long
Speed	
	Slowly
	Normal

► Change to normal operation by pressing the **PRG** button (menu 0).

7.8 MENU 8 – Force limit in the OPEN direction

► See Figure 30

The sensitivity of the automatic force limit for opening can be set in this menu (factory setting: parameter 4).

NOTE:

An increase in the force limit (parameter > 4) is only possible if parameter 3 has been selected in menu J.

CAUTION
<p>Danger of injury due to the force value being set too high (menu 6 and menu 8)</p> <p>When the force value is set too high, the force limit is less sensitive. This could lead to injury or damage.</p> <p>► Do not set a force value that is too high.</p>

A lower value can be selected for very easy-to-move doors if the sensitivity to obstructions should be increased.

► Change to normal operation by pressing the **PRG** button (menu 0).

7.8.1 Checking the forces in the OPEN direction

If changing the settings in menu 8, the forces in the *OPEN* direction must comply with standard EN 12453, i.e. an inspection is required afterwards.

7.9 MENU 9 – Behaviour in the OPEN direction

► See Figure 31

The automatic belt relief and braking behaviour in the *OPEN* end-of-travel position can be influenced in this menu.

NOTE:

A learning run may be necessary after changing this menu.

Display	Function
Soft stop	
	Extra long
	Long
	Short
Relief	
	Automatic
	Short
Soft start from the <i>CLOSE</i> end-of-travel position	
	Short
	Long
Speed	
	Slowly
	Normal
	Fast
Response with force limit	
	Stop
	Short reversal

1) This parameter is the factory setting if parameter 4 (sliding door) has been set in menu J.

Notes on the parameters:

Parameter	Note
0, 6	These parameters are adapted to the characteristics of retractable up-and-over doors.
A, b	These parameters can only be set if parameter 3 has been selected in menu J. Otherwise, parameter A is active in this menu.
b	If error 5 (force limit) occurs during travel in the <i>OPEN</i> direction, the door will briefly reverse (approx. 10 cm slide travel) in the opposite direction and then stop.

► Change to normal operation by pressing the **PRG** button (menu 0).

7.10 MENU A – Maximum force

► See Figure 32

The force of the force limit is set in this menu.

Display	Maximum force of the force limit

NOTE:

An increase in the force limit (parameter > 0) is only possible if parameter 3 has been selected in menu J.

► Change to normal operation by pressing the **PRG** button (menu 0).

8 Operation

WARNING	
	<p>Danger of injury during door travel</p> <p>If people or objects are in the area around the door while the door is in motion, this can lead to injuries or damage.</p> <ul style="list-style-type: none"> ► Children are not allowed to play near the door system. ► Make sure that no persons or objects are in the door's travel range. ► If the door system has only one safety feature, only operate the garage door operator if you are within sight of the door's area of travel. ► Monitor the door travel until the door has reached the end-of-travel position. ► Only drive or pass through remote control door systems if the door is in the <i>OPEN</i> end-of-travel position! ► Never stay standing under the open door.

CAUTION	
<p>Danger of crushing in the boom</p> <p>Do not reach into the boom with your fingers during door travel, as this can cause crushing.</p> <ul style="list-style-type: none"> ► Do not reach into the boom during door travel. 	

CAUTION	
<p>Danger of injury from the cord knob</p> <p>If you hang on the cord knob, you may fall and injure yourself. The operator could break away and injure persons or damage objects that are located underneath, or the operator itself could be destroyed.</p> <ul style="list-style-type: none"> ► Do not hang on the cord knob with your body weight. 	

⚠ CAUTION

Danger of injury resulting from uncontrolled door movement in the CLOSE direction if the torsion spring breaks and the slide carriage is released.

The slide carriages may decouple automatically unless a retrofit set is fitted.

- ▶ The fitter responsible must install a retrofit set on the slide carriage if the following prerequisites are at hand:
 - The standard DIN EN 13241-1 applies.
 - The garage door operator is retrofitted to a Hörmann **sectional door without spring safety device (BR30)** by a technical expert.

This set comprises a screw that secures the slide carriage against uncontrolled unlocking as well as a new cord knob sign where the images show how the set and the slide carriage can be handled for the two operating modes of the operator boom.

NOTE:

The use of an emergency release or an emergency release lock is **not possible** in conjunction with the retrofit set.

⚠ CAUTION

Danger of injuries due to the hot lamp

Touching the cold-light reflector lamp during or immediately following operation can lead to burns.

- ▶ Do not touch the cold-light reflector lamp if it is switched on or was recently switched on.

ATTENTION

Damage due to the cord of the mechanical release

If the cord of the mechanical release becomes caught on a roof carrier system or anything projecting from the vehicle or door, this can lead to damages.

- ▶ Make sure that the cable cannot become caught.

Heat generation of the illumination

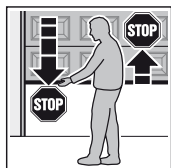
As a result of heat being generated by the operator light, there is a risk of damage if inadequate spacing is maintained.

- ▶ The smallest distance to easily inflammable materials or heat-sensitive surfaces must be at least 0.1 m (see Figure 7).

8.1 Instructing users

- ▶ Instruct all persons who use the door system on the proper and safe use of the garage door operator.
- ▶ Demonstrate and test the mechanical release as well as the safety return.

8.2 Function check



- ▶ To check the safety reversal, stop the door with both hands while it is closing. The door system must stop and initiate the safety reversal. The door system must also switch off and stop the door while it is opening.

- ▶ In the event of a failure of the safety reversal, a specialist must be commissioned immediately for the inspection and repair work.

8.3 Functions of various radio codes for external 3-channel receivers

8.3.1 Channel 1 / impulse

During normal operation, the garage door operator works with the *impulse* sequence control, which is triggered via an external button or a taught-in radio code:

- 1st impulse: The door runs towards an end-of-travel position.
- 2nd impulse: The door stops.
- 3rd impulse: The door runs in the opposite direction.
- 4th impulse: The door stops.
- 5th impulse: The door runs in the direction of the end-of-travel position selected in the 1st impulse.

etc.

8.3.2 Channel 2 / light

The operator light can be switched on and switched off ahead of time using the taught-in *light* radio code.

8.3.3 Channel 3 / partial opening

If the door is **not in partial opening** position, it is moved in the partial opening position using the *partial opening* radio code.

If the door is **in partial opening** position, it is moved in the *CLOSE* end-of-travel position using the *partial opening* radio code and in the *OPEN* end-of-travel position using the *impulse* radio code.

8.4 Behaviour during a power failure

To be able to open or close the garage door by hand during a power failure, it must be disengaged from the slide carriage.

- ▶ See Section 3.4.1
Boom operating modes/Manual operation

8.5 Behaviour following a power failure

After the power returns, the slide carriage must be re-engaged.

- ▶ See Section 3.4.1
Boom operating modes/Automated operation

9 Inspection and Maintenance

The garage door operator is maintenance-free.

For your own safety, however, we recommend having the door system checked and maintained by a specialist in accordance with the manufacturer's specifications.

⚠ WARNING

Danger of injury due to unexpected door travel

Unexpected door travel can result during inspection and maintenance work if the door system is inadvertently actuated by other persons.


- ▶ Pull out the mains plug **and**, if applicable, the plug of the emergency battery when performing all work on the door system.
- ▶ Safeguard the door system against being switched on again without authorization.

An inspection or necessary repairs may only be carried out by a qualified person. Contact your supplier for this purpose.

A visual inspection may be carried out by the operator.

- ▶ Check all safety and protective functions monthly.
- ▶ Malfunctions and/or defects at hand must be rectified **immediately**.

9.1 Replacement bulb

 CAUTION
Danger of injuries due to the hot lamp Touching the cold-light reflector lamp during or immediately following operation can lead to burns.
▶ Do not touch the cold-light reflector lamp if it is switched on or was recently switched on.

If the light is switched on, an alternating current of 12 V AC is present at the lamp socket.

- ▶ Exchange the cold-light reflector lamp only if the operator is voltage-free.
- ▶ For using/replacing the operator light, see Figure 34.

Type	Only cold-light reflector lamp with safety glass and UV protection
Base	GU 5.3
Nominal power	20 W
Nominal voltage	12 V
Angle of reflected beam	36° – 60°
Diameter	51 mm
Lamp colour	Clear

10 Dismantling and Disposal

NOTE:

When disassembling, observe the applicable regulations regarding occupational safety.

Have a specialist dismantle the garage door operator in the reverse order of these instructions and dispose of it properly.

11 Warranty Conditions

Warranty

We shall be exempt from our warranty obligations and product liability in the event that the customer carries out his own structural alterations or undertakes improper installation work or arranges for same to be carried out by others without our prior approval and contrary to the fitting guidelines we have provided. Moreover, we shall accept no responsibility for the inadvertent or negligent use of the operator and the accessories nor for improper maintenance of the door and its counterbalance. Batteries are also not covered by the warranty.

Warranty period

In addition to the statutory warranty provided by the dealer in the sales contract, we grant the following warranty for parts from the date of purchase:

- 5 years for the operator mechanics, motor and motor control
- 2 years on radio equipment, accessories and special systems

There is no warranty on consumables (e.g. fuses, batteries, lamps). Claims made under the warranty do not extend the warranty period. For replacement parts and repairs the warranty period is six months or at least the remainder of the warranty period.

Prerequisites

A claim under this warranty is only valid for the country in which the equipment was bought. The product must have been purchased through our authorised distribution channels. A claim under this warranty exists only for damage to the object of the contract itself. Reimbursement of expenditure for dismantling and fitting, testing of corresponding parts, as well as demands for lost profits and compensation for damages, are excluded from the warranty.

The receipt of purchase substantiates your right to claim under the warranty.

11.1 Performance

For the duration of the warranty we shall eliminate any product defects that are proven to be attributable to a material or manufacturing fault. We pledge to replace free of charge and at our discretion the defective goods with non-defective goods, to carry out repairs, or to grant a price reduction.

Damages caused by the following are excluded:

- improper fitting and connection
- improper initial start-up and operation
- external factors such as fire, water, abnormal environmental conditions
- mechanical damage caused by accidents, falls, impacts
- negligent or intentional destruction
- normal wear or deficient maintenance
- repairs conducted by unqualified persons
- use of non-original parts
- removal or defacing of the data plate

Replaced parts become our property.

12 Excerpt from the Declaration of Incorporation

(as defined in EC Machinery Directive 2006/42/EC for incorporation of partly completed machinery according to annex II, part 1 B).

The product described on the reverse side has been developed, constructed and produced in accordance with the following directives:

- EC Machinery Directive 2006/42 EC
- EC Construction Products Directive 89/106/EEC
- EC Directive Low-Voltage 2006/95/EC
- EC Electromagnetic Compatibility Directive 2004/108/EC

Applied and consulted standards and specifications:

- EN ISO 13849-1, PL “c”, Cat. 2
Safety of machinery – Safety-related parts of control systems – Part 1: General principles
- EN 60335-1/2, when applicable
Safety of electrical appliances / Operators for doors
- EN 61000-6-3
Electromagnetic Compatibility – Electromagnetic radiation
- EN 61000-6-2
Electromagnetic Compatibility – Interference immunity

Partly completed machinery as defined in the EC Directive 2006/42/EC is only intended to be incorporated into or assembled with other machinery or other partly completed machinery or equipment, thereby forming machinery to which this Directive applies.

This is why this product must only be put into operation after it has been determined that the entire machine/system in which it will be installed corresponds with the guidelines of the EC Directive mentioned above.

Any modification made to this product without our express permission and approval shall render this declaration null and void.

13 Technical Data

13.1 Operator











Mains voltage	230/240 V, 50/60 Hz
Stand-by	Approx. 4.5 W
Protection category	Only for dry rooms
Automatic safety cut-out	Is automatically taught in for both directions separately
End-of-travel position cut-out/force limit	Self-learning, wear-free, as it is designed without mechanical switches, additionally integrated run time limitation to approx. 60 s. Automatic safety cut-out, readjusting at every door run
Rated load	See data label
Pull and push force	See data label
Motor	Direct current motor with hall sensor
Transformer	With thermal protection
Connection	No-screw connection technology for external equipment with 24 V DC low safety voltage, such as internal and external buttons with impulse operation
Special functions	<ul style="list-style-type: none"> • Stop/off switch can be connected • Photocell or closing edge safety device can be connected • Option relay for warning lamp, additional external illumination can be connected via HCP bus adapter
Quick release	Actuated from inside with pull cord in the event of a power failure
Universal fittings	For up-and-over doors and sectional doors
Door travel speed	<ul style="list-style-type: none"> • In <i>CLOSE</i> direction max. 14 cm/s¹⁾ • In <i>OPEN</i> direction max. 22 cm/s¹⁾
Garage door operator airborne sound emission	70 dB (A)
Operator boom	Extremely flat at 30 mm, with integral door security kit and maintenance-free toothed belt

1) Depending on operator type, door type, door size and door leaf weight

14 Displays for Errors/Warnings and Operating Conditions

If there is an error or warning, a number will appear with a rapidly flashing decimal point.

14.1 Display of errors and warnings

Display	Error/warning	Possible cause	Remedy
	Reversal limit cannot be set	An obstacle was in the way when the SKS/VL reversal limit was set	Remove the obstruction
	Partial opening height cannot be set	The partial opening height is too close to the CLOSE end-of-travel position (≤ 120 mm slide travel)	The partial opening height must be higher
	Entry not possible	The parameter is set to 0 in menu 4 and an attempt was made to activate automatic timed closing (menu 3, parameters 1 – 9)	Activate the safety device(s)
	Not possible to give a travel command	The operator has been blocked for the control elements and a travel command was given	Release the operator for the control elements
	Run time limitation	The belt is torn	Exchange the belt
		The operator is defective	Exchange the operator
	System error	Internal error	Restore the factory setting (see Section 4.6), teach in the operator again or exchange, if necessary
	Force limit	The door is sluggish or does not move smoothly	Correct the door travel
		Obstruction in door area	Remove the obstruction and teach in the operator again, if necessary
	Static current circuit	The wicket door is open	Close the wicket door
		The magnet has been fitted the wrong way	Fit the magnet correctly (see the instructions for the wicket door contact)
		The testing result is not OK	Exchange the wicket door contact
	Photocell	No photocell is connected	Connect a photocell or set the parameter to 0 in menu 4
		The light beam is interrupted	Adjust the photocell
		The photocell is defective	Exchange the photocell
	Closing edge safety device	The light beam is interrupted	Check the transmitter and receiver and exchange, if necessary, or exchange the complete closing edge safety device
		8k2 resistance contact strip is defective or not connected	Check the 8k2 resistance contact strip or connect to the operator via the 8k2-1T decoder unit
	No reference point	Power failure	Move the door to the OPEN end-of-travel position
	The operator has not been taught in	The operator has not been taught in yet	Teach in the operator

14.2 Display of the operating conditions of the operator








	The operator is in the OPEN end-of-travel position		The operator is in an intermediate position
	The operator is currently in motion		The operator is in the CLOSE end-of-travel position
	The operator is in the partial opening position		Impulse input from a radio code

Table des matières

A	Articles fournis	2		
B	Outils nécessaires au montage	2		
1	A propos de ce mode d'emploi	22		
1.1	Documents valables.....	22		
1.2	Consignes de sécurité utilisées.....	22		
1.3	Définitions utilisées.....	22		
1.4	Symboles utilisés.....	22		
1.5	Abréviations utilisées.....	23		
2	▲ Consignes de sécurité	23		
2.1	Utilisation appropriée.....	23		
2.2	Utilisation non appropriée.....	23		
2.3	Qualification du monteur.....	23		
2.4	Consignes de sécurité concernant le montage, la maintenance, la réparation et le démontage de l'installation de porte.....	23		
2.5	Consignes de sécurité concernant le montage.....	23		
2.6	Consignes de sécurité concernant la mise en service et le fonctionnement.....	24		
2.7	Consignes de sécurité concernant l'utilisation d'un système radio.....	24		
2.8	Dispositifs de blocage contrôlés.....	24		
3	Montage	24		
3.1	Contrôle de la porte.....	24		
3.2	Espace libre nécessaire.....	24		
3.3	Montage de la motorisation de porte de garage.....	25		
3.4	Montage du rail de guidage.....	25		
3.5	Fixation du panneau d'avertissement.....	26		
3.6	Raccordement électrique de la motorisation de porte de garage.....	26		
3.7	Raccordement de composants supplémentaires / d'accessoires.....	27		
4	Mise en service	27		
4.1	Remarques concernant la commande de motorisation.....	28		
4.2	Sélection de menu.....	28		
4.3	Comportement de la commande lors de la première mise en service.....	28		
4.4	MENU J – Ajustement / réglage du type de porte.....	28		
4.5	MENU 1 – Apprentissage du trajet d'apprentissage / de la motorisation.....	28		
4.6	Réinitialisation de la commande / aux réglages d'usine.....	29		
5	Système radio	29		
6	Sélection des fonctions	30		
6.1	MENU P.....	30		
6.2	MENU 2.....	30		
6.3	MENU 0 – Fonctionnement normal.....	31		
7	Menus spéciaux	31		
7.1	Sélection des menus spéciaux.....	31		
7.2	Remarques concernant les menus spéciaux.....	31		
7.3	MENU 3 – Fermeture automatique.....	31		
7.4	MENU 4 – Dispositifs de blocage.....	32		
7.5	MENU 5 – Réglage du temps d'avertissement, du relai d'option et de l'affichage de maintenance.....	32		
7.6	MENU 6 – Limiteur d'effort lors du trajet dans le sens Fermé.....	33		
7.7	MENU 7 – Comportement lors du trajet dans le sens Fermé.....	33		
7.8	MENU 8 – Limiteur d'effort lors du trajet dans le sens Ouvert.....	33		
7.9	MENU 9 – Comportement lors du trajet dans le sens Ouvert.....	33		
7.10	MENU A – Effort maximum.....	34		
8	Fonctionnement	34		
8.1	Instruction des utilisateurs.....	35		
8.2	Essai de fonctionnement.....	35		
8.3	Fonctions des différents codes radio pour un récepteur externe à 3 canaux.....	35		
8.4	Comportement lors d'une panne d'électricité.....	35		
8.5	Comportement après une panne d'électricité.....	35		
9	Inspection et maintenance	36		
9.1	Ampoule de remplacement.....	36		
10	Démontage et élimination	36		
11	Conditions de garantie	36		
11.1	Prestations.....	36		
12	Extrait de la déclaration d'incorporation	37		
13	Données techniques	37		
13.1	Motorisation.....	37		
14	Affichage des erreurs / messages d'avertissement et états d'exploitation	38		
14.1	Affichage d'erreurs et d'avertissements.....	38		
14.2	Affichage des états d'exploitation de la motorisation.....	38		
	 Partie illustrée	40		



Partie illustrée..... 40

* Accessoires non compris dans l'équipement standard !

Toute transmission ou reproduction de ce document, toute exploitation ou communication de son contenu sont interdites, sauf autorisation expresse. Tout manquement à cette règle est illicite et expose son auteur au versement de dommages et intérêts. Tous droits réservés en cas de dépôt d'un brevet, d'un modèle d'utilité ou d'agrément. Changements de construction réservés.

Cher client,
Nous vous remercions d'avoir opté pour un produit de qualité de notre société.

1 A propos de ce mode d'emploi

Ces instructions correspondent à une **notice originale** au sens de la directive CE 2006/42/CE. Lisez attentivement et entièrement les présentes instructions. Elles contiennent d'importantes informations concernant ce produit. Veuillez tenir compte des remarques et en particulier respecter toutes les consignes de sécurité et de danger.


Conservez précieusement les présentes instructions et assurez-vous que tous les utilisateurs puissent les consulter à tout moment.

1.1 Documents valables

Afin de garantir une utilisation et une maintenance sûres de l'installation de porte, les documents suivants doivent être mis à la disposition de l'utilisateur final :

- Présentes instructions
- Carnet d'essai joint
- Instructions de la motorisation de porte de garage

1.2 Consignes de sécurité utilisées

	Ce symbole général d'avertissement désigne un danger susceptible de causer des blessures graves ou la mort . Dans la partie texte, le symbole général d'avertissement est utilisé en association avec les degrés de danger décrits ci-dessous. Dans la partie illustrée, une indication supplémentaire renvoie aux explications du texte.
 DANGER	Désigne un danger provoquant inmanquablement la mort ou des blessures graves.
 AVERTISSEMENT	Désigne un danger susceptible de provoquer la mort ou des blessures graves.
 PRECAUTION	Désigne un danger susceptible de provoquer des blessures légères à moyennes.
ATTENTION	Désigne un danger susceptible d' endommager ou de détruire le produit .

1.3 Définitions utilisées

Fermeture automatique

Fermeture automatique de la porte après un certain temps depuis la position finale *Ouvert* ou l'ouverture partielle.

Commande séquentielle à impulsion

A chaque pression sur une touche, la porte part dans le sens opposé du dernier trajet de porte ou stoppe celui-ci.

Trajets d'apprentissage

Les trajets de porte, pour lesquels le déplacement, les forces et le comportement de la porte sont nécessaires, sont mémorisés.

Fonctionnement normal

Trajet de porte suivant les trajets et les efforts appris.

Rappel automatique de sécurité

Mouvement de la porte dans le sens opposé lors de la sollicitation du dispositif de blocage ou du limiteur d'effort.

Limite d'inversion

Jusqu'à la limite d'inversion, juste avant la position finale *Fermé*, un trajet est déclenché dans le sens opposé (trajet inverse) lors de la sollicitation d'un dispositif de blocage. En cas de dépassement de cette limite, ce comportement est supprimé afin que la porte atteigne la position finale en toute sécurité, sans interruption de trajet.

Ouverture partielle

Seconde hauteur d'ouverture réglable séparément, permettant d'aérer le garage.

Déplacement

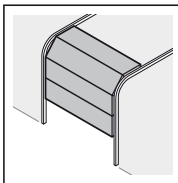
La course que la porte accomplit en passant de la position finale *Ouvert* à la position finale *Fermé*.

Temps d'avertissement

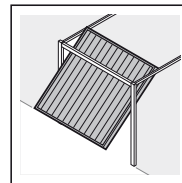
Délai entre l'instruction de démarrage (impulsion) et le début du trajet de porte.

1.4 Symboles utilisés

La partie illustrée présente le montage de la motorisation sur une porte sectionnelle. Si le montage sur une porte basculante diverge, ces différences seront aussi affichées. Pour une meilleure visualisation, les lettres suivantes sont attribuées à la numérotation des figures :



a = porte sectionnelle



b = porte basculante

Toutes les dimensions dans la partie illustrée sont en [mm].

Symboles :



Voir partie texte

Dans cet exemple, **2.2** signifie : voir partie texte, chapitre 2.2



Consigne importante pour éviter tout dommage corporel ou matériel



Efforts physiques importants



Attention au déplacement aisé



Utilisation de gants de protection



Clignotement lent dans l'affichage à 7 segments



Clignotement rapide dans l'affichage à 7 segments

1.5 Abréviations utilisées

Code de couleurs pour câbles, conducteurs et composants	
Les abréviations des couleurs pour l'identification des câbles, des conducteurs et des composants sont conformes aux codes internationaux de couleurs, selon la norme IEC 757 :	
WH	Blanc
BN	Marron
GN	Vert
YE	Jaune
Désignations des articles	
HE 2	Récepteur à 2 canaux
HE 3	Récepteur à 3 canaux
IT 1b	Bouton-poussoir avec touche d'impulsion éclairée
IT 3b	Bouton-poussoir avec touche à impulsion éclairée, touches supplémentaires pour allumer / éteindre la lumière et la motorisation
EL 101	Cellule photoélectrique à faisceau unique
STK	Contact de portillon incorporé
SKS	Unité de raccordement pour sécurité de contact
VL	Unité de raccordement pour cellule photoélectrique avancée
HSM 4	Mini-émetteur à 4 touches
HOR 1	Relais d'option
UAP 1	Platine d'adaptation universelle
HNA 18	Batterie de secours
SLK	Feu de signalisation à DEL jaune

2 Consignes de sécurité

ATTENTION :

CONSIGNES DE SECURITE IMPORTANTES.

POUR LA SECURITE DES PERSONNES, IL EST IMPORTANT DE SUIVRE LES PRESENTES CONSIGNES. CES CONSIGNES DOIVENT ETRE CONSERVEES.

2.1 Utilisation appropriée

La motorisation de porte de garage est conçue pour la commande à impulsion de portes sectionnelles ou basculantes équilibrées par ressort ainsi que de portes basculantes équilibrées par des poids. Selon le type de motorisation, la motorisation peut être utilisée dans privé / non industriel ou dans le domaine industriel (par ex. garages souterrains ou collectifs).

Concernant la combinaison porte / motorisation, veuillez tenir compte des indications du fabricant. Le respect de nos instructions quant à la construction et au montage permet d'éviter les risques définis par la norme DIN EN 13241-1. Les installations de porte utilisées dans le domaine public et ne disposant que d'un seul dispositif de sécurité, par exemple un limiteur d'effort, ne doivent être commandées que sous surveillance.

La motorisation de porte de garage a été développée pour une utilisation en zone sèche.


2.2 Utilisation non appropriée

La motorisation ne doit pas être utilisée pour des portes sans sécurité parachute.

2.3 Qualification du monteur


Seuls un montage et un entretien corrects par une société / personne compétente ou spécialisée, conformément aux instructions, peuvent garantir un fonctionnement fiable et adapté des équipements installés. Conformément à la norme EN 12635, un spécialiste est une personne qualifiée qui dispose de la formation appropriée, des connaissances spécifiques et de l'expérience nécessaires pour un montage, une inspection et une maintenance corrects et sûrs d'une installation de porte.

2.4 Consignes de sécurité concernant le montage, la maintenance, la réparation et le démontage de l'installation de porte

 **DANGER**

Ressorts d'équilibrage sous tension élevée

► Voir avertissement au chapitre 3.1

 **AVERTISSEMENT**

Risque de blessure en raison d'un trajet de porte inattendu

► Voir avertissement au chapitre 9


Le montage, la maintenance, la réparation et le démontage de l'installation de porte doivent être exécutés par un spécialiste.


► En cas de défaillance de la motorisation de porte de garage, il convient de confier directement la vérification / réparation à un spécialiste.

2.5 Consignes de sécurité concernant le montage

Lors des travaux de montage, le spécialiste doit s'assurer que les prescriptions valables en matière de sécurité sur le lieu de travail, ainsi que les prescriptions relatives à l'utilisation d'appareils électriques sont bien observées. Les directives nationales doivent être également prises en compte. Le respect de nos instructions quant à la construction et au montage permet d'éviter les risques définis par la norme DIN EN 13241-1.

Le plafond du garage doit être dans un état tel qu'une fixation sûre de la motorisation est assurée. Si le plafond est trop haut ou trop léger, la motorisation doit être fixée à l'aide d'entretoises supplémentaires.

 **DANGER**



Tension secteur

► Voir avertissement au chapitre 3.6

AVERTISSEMENT

Matériaux de fixation inappropriés

- ▶ Voir avertissement au chapitre 3.3

Danger de mort en raison de la corde manuelle

- ▶ Voir avertissement au chapitre 3.3

Risque de blessure en raison d'un mouvement de porte involontaire

- ▶ Voir avertissement au chapitre 3.3

2.6 Consignes de sécurité concernant la mise en service et le fonctionnement

AVERTISSEMENT

Risque de blessure en raison d'un mouvement de porte

- ▶ Voir avertissement au chapitre 4

PRECAUTION

Risque d'écrasement dans le rail de guidage

- ▶ Voir avertissement au chapitre 4

Risque de blessure en raison de la tirette à corde

- ▶ Voir avertissement au chapitre 4

Risque de blessure en raison de l'ampoule brûlante

- ▶ Voir avertissement aux chapitres 4 et 8

Risque de blessure en raison d'un réglage trop élevé de l'effort

- ▶ Voir avertissement aux chapitres 7.6 et 7.8

Risque de blessure en raison de mouvements de porte incontrôlés dans le sens *Fermé* en cas de rupture du ressort de torsion et de déverrouillage du chariot de guidage

- ▶ Voir avertissement au chapitre 8

2.7 Consignes de sécurité concernant l'utilisation d'un système radio

AVERTISSEMENT

Risque de blessure en raison d'un mouvement de porte

- ▶ Voir avertissement au chapitre 5

PRECAUTION

Risque de blessure en raison d'un trajet de porte involontaire

- ▶ Voir avertissement au chapitre 5

2.8 Dispositifs de blocage contrôlés

Les fonctions et composants de la commande importants pour la sécurité, tels que le limiteur d'effort, les cellules photoélectriques / listels de commutation externes provenant de notre société, si disponibles, ont été fabriqués et contrôlés conformément à la catégorie 2, PL « c » de la norme EN ISO 13849-1:2008.

AVERTISSEMENT

Risque de blessure en raison de dispositifs de blocage défectueux

- ▶ Voir avertissement au chapitre 4.5.1

3 Montage

ATTENTION :

CONSIGNES IMPORTANTES POUR UN MONTAGE SUR.
TOUTES LES CONSIGNES DOIVENT ETRE RESPECTEES.
UN MONTAGE INCORRECT PEUT PROVOQUER DES BLESSURES GRAVES.

3.1 Contrôle de la porte

DANGER

Ressorts d'équilibrage sous tension élevée

Le repositionnement ou le desserrage des ressorts d'équilibrage peut causer des blessures graves !

- ▶ Pour votre propre sécurité, confiez les travaux relatifs aux ressorts d'équilibrage de la porte et, au besoin, les travaux de maintenance et de réparation uniquement à un spécialiste !
- ▶ N'essayez en aucun cas de changer, régler, réparer ou déplacer vous-même les ressorts d'équilibrage du système d'équilibrage de la porte.
- ▶ En outre, contrôlez l'installation de porte dans son ensemble (pièces articulées, paliers de porte, câbles, ressorts et pièces de fixation) quant à l'usure ou à d'éventuels dommages.
- ▶ Vérifiez la présence de rouille, de corrosion et de fissures.

Des défauts dans l'installation de porte ou un alignement incorrect de la porte peuvent provoquer des blessures graves !

- ▶ L'installation de porte ne doit pas être utilisée tant que celle-ci requiert des travaux de réparation ou de réglage !

La construction de la motorisation n'est pas prévue pour le fonctionnement de portes à manœuvrabilité difficile, c'est-à-dire de portes qui ne peuvent plus être ouvertes ou fermées manuellement ou seulement avec difficultés.

La porte doit être équilibrée et dans un état de marche mécanique irréprochable, de sorte à pouvoir être utilisée manuellement sans difficultés (norme EN 12604).

- ▶ Relevez la porte d'environ un mètre, puis relâchez-la. La porte devrait s'immobiliser dans cette position et ne se déplacer **ni** vers le haut, **ni** vers le bas. Si la porte se déplace dans l'un des deux sens, il est possible que les ressorts d'équilibrage / contrepoids ne soient pas réglés correctement ou qu'ils soient défectueux. Dans ce cas, on peut s'attendre à une usure accélérée et à un mauvais fonctionnement de l'installation de porte.
- ▶ Vérifiez que la porte s'ouvre et se ferme correctement.
- ▶ Les verrouillages mécaniques de la porte, qui ne sont pas nécessaires pour un actionnement avec une motorisation, doivent être mis hors service. Il s'agit ici principalement des mécanismes de verrouillage de la serrure (voir chapitre 3.3).
- ▶ **Pour le montage et la mise en service, passez à la partie illustrée. Respectez la partie illustrée respective lorsque le symbole du renvoi textuel vous l'indique.**


3.2 Espace libre nécessaire


L'espace libre entre le point le plus haut de la porte et le plafond (également lors de l'ouverture de la porte) doit être d'au minimum 30 mm (voir figures 1.1a / 1.2b).



- ▶ Vérifiez cette dimension !

Si l'espace libre est plus petit, la motorisation peut également être montée derrière la porte ouverte, si l'espace est suffisant. Dans ce cas, il faut utiliser un entraîneur de porte allongé à commander séparément. En outre, la motorisation de porte de garage peut être excentrée d'au maximum 50 cm. Les portes sectionnelles avec rehaussement (ferrure H) en sont exclues. Pour ce cas de figure, une ferrure spéciale est nécessaire. La prise de courant nécessaire au raccordement électrique doit être montée à environ 50 cm du bloc-moteur. Veuillez vérifier ces dimensions !

3.3 Montage de la motorisation de porte de garage

 AVERTISSEMENT
<p>Matériaux de fixation inappropriés</p> <p>L'utilisation de matériaux de fixation inappropriés peut causer la fixation incorrecte et non sécurisée de la motorisation, qui peut alors se détacher.</p> <ul style="list-style-type: none"> ▶ Le monteur doit vérifier l'utilisation des accessoires de montage compris dans la livraison et plus précisément s'assurer qu'ils sont adaptés au site de montage prévu. ▶ N'utilisez les accessoires de fixation compris dans la livraison (chevilles) que pour du béton \geq B15 (voir figures 1.6a / 1.8b / 2.4).

 AVERTISSEMENT
<p>Danger de mort en raison de la corde manuelle</p> <p>Une corde manuelle en mouvement peut provoquer un étranglement.</p> <ul style="list-style-type: none"> ▶ Lors du montage de la motorisation, retirez la corde manuelle (voir figure 1.2a).

 AVERTISSEMENT	
	<p>Risque de blessure en raison d'un mouvement de porte involontaire</p> <p>En cas de montage ou de maniement erroné des appareils de commande de la motorisation, des mouvements de porte involontaires peuvent se déclencher et coincer des personnes ou des objets.</p> <ul style="list-style-type: none"> ▶ Suivez toutes les consignes des présentes instructions. <p>En cas de montage erroné des appareils de commande (par exemple un contacteur), des mouvements de porte involontaires peuvent se déclencher et coincer des personnes ou des objets.</p> <ul style="list-style-type: none"> ▶ Montez les appareils de commande à une hauteur minimale de 1,5 m (hors de portée des enfants). ▶ Montez des appareils de commande à installation fixe (par ex. un contacteur) à portée de vue de la porte, mais éloignés des parties mobiles.

ATTENTION
<p>Endommagement dû à la saleté</p> <p>La poussière de forage et les copeaux sont susceptibles de provoquer des dysfonctionnements.</p> <ul style="list-style-type: none"> ▶ Lors des travaux de forage, couvrez la motorisation.

REMARQUE :

Les garages ne possédant pas d'accès secondaire doivent être équipés d'un débrayage de secours pour éviter d'être enfermé à l'intérieur. Le débrayage de secours doit être commandé séparément.

- ▶ Son bon fonctionnement doit également faire l'objet d'une vérification mensuelle.
1. Le verrouillage mécanique de la **porte sectionnelle** doit être entièrement démonté (voir figure 1.3a).
 2. Pour les portes sectionnelles à verrouillage central, montez la pièce articulée de linteau et la cornière d'entraînement de manière excentrée (voir figure 1.5a).

3. Pour le profil de renfort excentré sur la porte sectionnelle, la cornière d'entraînement doit être montée le plus proche possible à gauche ou à droite du profil de renfort (voir figure 1a).

REMARQUE :

Contrairement à la figure 1.5a pour les portes en bois (trou \varnothing 3 mm), il convient d'utiliser les vis à bois 5 x 35 du set d'accessoires de la porte.

4. Mettez les verrouillages mécaniques de la **porte basculante** hors service (voir figures 1.3b / 1.4b / 1.5b). Pour les modèles de porte non mentionnés ici, les gâches doivent être fixées par l'utilisateur.
5. Contrairement aux figures 1.6b / 1.7b, la pièce articulée de linteau et la cornière d'entraînement doivent être excentrées d'au maximum 50 cm pour les portes basculantes avec poignée en ferronnerie d'art.

REMARQUE :

Pour les portes N80 avec remplissage bois, utilisez les forages inférieurs de la pièce articulée de linteau pour le montage (voir figure 1.7b).

3.4 Montage du rail de guidage

REMARQUES :

- Avant le montage du rail de guidage au linteau ou sous le plafond, le chariot de guidage doit être inséré sur environ 20 cm à l'état embrayé (voir chapitre 3.4.1. *Modes de service du rail de guidage*), dans le sens de direction de la position finale *Fermé* à la position finale *Ouvert* (voir figure 2.1). Cela n'est plus possible à l'état embrayé dès lors que les butées et la motorisation sont montées.
- Pour les motorisations destinées aux garages collectifs et souterrains, il est nécessaire de fixer le rail de guidage sous le plafond du garage à l'aide d'une seconde suspension (voir figures 2.4 et 2.5).
- Pour les motorisations de porte de garage (en fonction de l'application qui leur est réservée), utilisez exclusivement les rails de guidage que nous recommandons (voir information produit) !

3.4.1 Modes de service du rail de guidage

Le rail de guidage dispose de deux modes de service :

- Fonctionnement manuel
- Fonctionnement automatique

Fonctionnement manuel

- ▶ Voir figure 4

Le chariot de guidage est débrayé du fermoir de la courroie / sangle de sorte qu'un trajet manuel de la porte est possible.

Débrayage du chariot de guidage :

- ▶ Tirez le câble du déverrouillage mécanique.

PRECAUTION

Risque de blessure en raison de mouvements de porte incontrôlés dans le sens *Fermé* et en cas de rupture du ressort de torsion et de déverrouillage du chariot de guidage

Le chariot de guidage peut se déverrouiller de manière incontrôlée si aucun set d'extension n'est monté.

- ▶ Le monte responsable doit monter un set d'extension sur le chariot de guidage lorsque les conditions suivantes sont pertinentes :
 - La norme DIN EN 13241-1 s'applique.
 - La motorisation de porte de garage doit être montée ultérieurement par un spécialiste sur une **porte sectionnelle sans sécurité rupture de ressort (série 30)**.

Ce set se compose d'une vis sécurisant le chariot de guidage de tout déverrouillage incontrôlé et d'un panneau pour tirette à corde, dont les images décrivent la façon de manier le set et le chariot de guidage pour les deux modes de service du rail de guidage.

REMARQUE :

L'utilisation d'un débrayage de secours ou d'un verrou de débrayage de secours est **impossible** en combinaison avec le set d'extension.

Fonctionnement automatique

- ▶ Voir figure 6

Le fermoir de la courroie / sangle est embrayé dans le chariot de guidage de sorte qu'un trajet motorisé de la porte est possible.

Préparation à l'embrayage du chariot de guidage :

1. Appuyez sur le bouton vert.
2. Déplacez la courroie / sangle dans le sens du chariot de guidage jusqu'à ce que le fermoir de la courroie / sangle s'encliquette dans celui-ci.

PRECAUTION

Risque d'écrasement dans le rail de guidage

Toute manipulation du rail de guidage durant le trajet de porte comporte un risque d'écrasement.

- ▶ Durant un trajet de porte, n'introduisez jamais les doigts dans le rail de guidage.

3.4.2 Détermination des positions finales par le biais du montage des butées

1. Afin de déterminer la position finale *Ouvert*, insérez la butée non assemblée dans le rail de guidage entre le chariot de guidage et la motorisation.
2. Amenez manuellement la porte en position *Ouvert*. La butée coulisse alors dans la position correcte.
3. Fixez la butée de la position finale *Ouvert* (voir figure 5.1).

REMARQUE :

Si la porte en position finale *Ouvert* n'atteint pas entièrement le passage libre en hauteur, vous pouvez retirer la butée afin d'utiliser la butée intégrée (au bloc-moteur).

4. Afin de déterminer la position finale *Fermé*, insérez la butée non assemblée dans le rail de guidage entre le chariot de guidage et la motorisation.
5. Amenez manuellement la porte en position *Fermé*. La butée coulisse alors à proximité de la position correcte.
6. Une fois la position finale *Fermé* atteinte, la butée doit être déplacée d'environ 1 cm dans le sens *Fermé*, puis fixée (voir figure 5.2).

REMARQUE :

S'il est difficile d'amener manuellement la porte en position finale *Ouvert* ou *Fermé*, cela signifie que la mécanique de la porte permettant de faire fonctionner la motorisation de porte de garage est trop lourde à la manœuvre et doit être contrôlée (voir chapitre 3.1) !

3.4.3 Vérification de la tension de la sangle / courroie crantée



En sortie d'usine, la sangle / courroie crantée du rail de guidage possède une tension auxiliaire optimale. Durant la phase de démarrage et de ralentissement de grandes portes, il se peut que la sangle / courroie pende brièvement hors du profil de rail. Cependant, cet effet n'entraîne aucune perte sur le plan technique et n'a aucune répercussion négative sur le fonctionnement ou la longévité de la motorisation.

3.5 Fixation du panneau d'avertissement

Le panneau d'avertissement quant aux risques de pincement doit être installé de façon permanente à un endroit bien en vue, nettoyé et dégraissé, par exemple à proximité des boutons fixes permettant de faire fonctionner la motorisation !

- ▶ Voir figure 8

3.6 Raccordement électrique de la motorisation de porte de garage

	 DANGER
Tension secteur	
<p>Tout contact avec la tension secteur peut entraîner une décharge électrique mortelle. Par conséquent, veuillez impérativement respecter les consignes suivantes :</p> <ul style="list-style-type: none"> ▶ Les raccordements électriques doivent uniquement être effectués par un électricien professionnel. ▶ L'installation électrique par l'utilisateur doit satisfaire à toutes les dispositions de protection (230/240 V CA, 50/60 Hz) ! ▶ Avant tout travail sur la motorisation, débranchez la fiche secteur. 	

ATTENTION

Courant étranger aux bornes de raccordement

Un courant étranger aux bornes de raccordement de la commande entraîne une destruction de l'électronique.

- ▶ Ne raccordez aucune tension secteur (230/240 V CA) aux bornes de raccordement provenant de la commande.

Afin d'éviter tout dysfonctionnement :

- ▶ Posez les câbles de commande de la motorisation (24 V CC) vers les autres câbles d'alimentation (230 V CA) avec tension secteur dans un système d'installation séparé.

3.6.1 Raccordement électrique / Bornes de raccordement

- ▶ Voir figure 9
- ▶ Pour atteindre les bornes de raccordement, retirez le cache de la fiche.

REMARQUE :

Il est possible d'affecter plusieurs fois les bornes de raccordement. Cependant, respectez les forces suivantes (voir figure 10) :

- Force minimale : 1 x 0,5 mm²
- Force maximale : 1 x 2,5 mm²

La borne de raccordement BUS permet de raccorder les accessoires à fonctions spéciales.

3.7 Raccordement de composants supplémentaires / d'accessoires

REMARQUE :

La charge maximale de l'ensemble des accessoires électriques sur la motorisation ne doit pas excéder **250 mA max**.

3.7.1 Raccordement d'un récepteur radio externe *

Il est possible de raccorder un récepteur externe à cette motorisation de porte de garage. La fiche de ce récepteur est enfichée dans l'emplacement correspondant (voir figure 9).

REMARQUE :

Le câble d'antenne d'un récepteur radio ne doit pas entrer en contact avec des objets métalliques (clous, montants, etc.). La meilleure orientation doit être déterminée par des tests. L'utilisation simultanée de téléphones portables GSM 900 peut affecter la portée de la télécommande radio.

Pour les récepteurs à 2 canaux, le premier canal a toujours la fonction de commande séquentielle à impulsion. Le second canal peut être utilisé pour la commande de la lampe de motorisation ou pour l'ouverture partielle (voir chapitre 6.2.3).

3.7.2 Bouton-poussoir à impulsion extérieur * pour le déclenchement ou l'arrêt de trajets de porte

Un ou plusieurs bouton(s)-poussoir(s) avec contacts de fermeture (sans potentiel), tel que bouton-poussoir ou contacteur à clé, peu(ven)t être raccordé(s) en parallèle (voir figure 11).

3.7.3 Bouton-poussoir IT 3b *

► Voir figure 12

3.7.4 Bouton-poussoir à impulsion pour le déclenchement ou l'arrêt de trajets de porte

► Voir figure 12.1

3.7.5 Bouton d'éclairage pour la mise en marche et l'arrêt de la lampe de motorisation

► Voir figure 12.2

3.7.6 Bouton pour la mise en marche et l'arrêt de tous les éléments de commande

► Voir figure 12.3

3.7.7 Cellule photoélectrique à 2 fils * (dynamique)

REMARQUE :

Lors du montage, observez les instructions de la cellule photoélectrique.

► Raccordez les cellules photoélectriques comme décrit à la figure 13.

Une fois déclenchée, la cellule photoélectrique stoppe la motorisation puis s'ensuit un rappel automatique de sécurité de la porte vers la position finale *Ouvert*.

3.7.8 Contact de portillon incorporé testé *

► Raccordez les contacts de portillon incorporé commutant en aval de la masse (0 V) tel que décrit à la figure 14.

3.7.9 Sécurité de contact *

► Raccordez les contacts de fermeture commutant en aval de la masse (0 V) tel que décrit à la figure 15.

Après le déclenchement de la sécurité de contact, la motorisation s'arrête et la porte part dans la direction inverse dans le sens *Ouvert*.

3.7.10 Relais d'option HOR 1 *

► Voir figure 16

Le relais d'option HOR 1 est nécessaire au raccordement d'une lampe extérieure ou d'un feu de signalisation (programmation via le menu 5).

* Accessoires non compris dans l'équipement standard !

3.7.11 Platine d'adaptation universelle UAP 1 *

► Voir figure 17

La platine d'adaptation universelle UAP 1 peut être utilisée :

- pour la sélection de direction (*Ouvert* – *Arrêt* – *Fermé*) via éléments de commande externes
- pour la commande de la lampe de motorisation et de la fonction d'ouverture partielle via des éléments de commande externes
- pour les signaux de position finale *Ouvert* et *Fermé*
- pour le relais d'option (programmation via le menu 5)

3.7.12 Batterie de secours HNA 18 *

► Voir figure 18

Afin d'assurer le déplacement de la porte en cas panne de courant, il est possible de raccorder une batterie de secours optionnelle. En cas de panne de courant, le passage en fonctionnement batterie a lieu automatiquement. Durant ce service, la lampe de motorisation demeure inactive.



⚠ AVERTISSEMENT

Risque de blessure en raison d'un trajet de porte inattendu

Des trajets de porte inattendus peuvent se déclencher lorsque la batterie de secours est raccordée, même si la fiche secteur est débranchée.

► Avant tout travail sur l'installation de porte, débranchez la fiche secteur **et** la fiche de la batterie de secours.

4 Mise en service

⚠ AVERTISSEMENT	
	<p>Risque de blessure en raison d'un mouvement de porte</p> <p>Le mouvement de porte est susceptible d'entraîner des dommages corporels ou matériels dans la zone de déplacement.</p> <ul style="list-style-type: none"> ► Les enfants ne doivent pas jouer à proximité de l'installation de porte. ► Assurez-vous qu'aucune personne et qu'aucun objet ne se trouve dans la zone de déplacement de la porte. ► Si l'installation de porte ne dispose que d'un dispositif de blocage, faites fonctionner la motorisation de porte de garage uniquement lorsque vous pouvez voir la zone de déplacement de la porte. ► Surveillez le trajet de porte jusqu'à ce que cette dernière ait atteint sa position finale. ► N'empruntez l'ouverture de porte télécommandée en véhicule ou à pied que lorsque la porte de garage s'est immobilisée en position finale <i>Ouvert</i> ! ► Ne restez jamais sous la porte lorsqu'elle est ouverte.
	

⚠ PRECAUTION

Risque d'écrasement dans le rail de guidage

Toute manipulation du rail de guidage durant le trajet de porte comporte un risque d'écrasement.

► Durant un trajet de porte, n'introduisez jamais les doigts dans le rail de guidage.

PRECAUTION

Risque de blessure en raison de la tirette à corde

Si vous vous suspendez à la tirette à corde, cette dernière peut céder et vous pouvez vous blesser. La motorisation peut se détacher et blesser les personnes se trouvant en dessous, endommager des objets ou se détériorer en chutant.

- ▶ Ne vous suspendez pas à la tirette à corde.

PRECAUTION

Risque de blessure en raison de l'ampoule brûlante

Toute manipulation de la lampe réflecteur à lumière froide pendant ou directement après l'exploitation est susceptible d'entraîner des brûlures.

- ▶ Ne touchez pas la lampe réflecteur à lumière froide lorsque celle-ci est allumée ou vient d'être éteinte.

4.1 Remarques concernant la commande de motorisation

La commande de motorisation dispose de 13 menus offrant de nombreuses fonctions à l'utilisateur.

La mise en service de la motorisation ne requiert cependant que deux menus :

- L'ajustement / le réglage du type de porte (menu **J**)
- L'apprentissage du déplacement (menu **1**)

REMARQUE :

Les menus **J**, **1**, **P** et **2** sont des menus de mise en service / sélection de fonctions et des menus client.

Les menus **3**, **4**, **5**, **6**, **7**, **8**, **9** et **A** sont des menus spéciaux et ne doivent être modifiés qu'en cas de besoin.

4.2 Sélection de menu

- ▶ Pour procéder à la sélection de menu, appuyez sur la touche **PRG**.

Si l'apprentissage de la motorisation est déjà effectué, maintenez la touche **PRG** enfoncée pendant 5 secondes afin de pouvoir modifier les menus.

Ensuite, vous passez au menu suivant en appuyant une nouvelle fois sur cette touche. Une fois parvenu au menu **P**, vous passez au menu **0**.

REMARQUE :

Les menus sont activés pour une durée d'environ 60 secondes, au terme desquelles la commande repasse au menu **0**.

4.3 Comportement de la commande lors de la première mise en service

Lors de la première mise en service, la commande passe automatiquement au menu **J**.

- ▶ Après avoir réglé le type de porte, appuyez sur la touche **PRG** afin de passer au menu **1**.

Au terme des trajets d'apprentissage, la commande passe automatiquement au menu **0** (fonctionnement normal).

4.4 MENU J – Ajustement / réglage du type de porte

- ▶ Voir figure 21

REMARQUE :



Le menu **J** ne peut être appelé qu'après la première mise en service ou la réinitialisation aux réglages d'usine (voir chapitre 4.6, figure 33).

Ce menu permet un réglage optimal de la motorisation à la porte correspondante.

Pour modifier un paramètre :






- ▶ Appuyez sur la touche **PRG** jusqu'à ce que l'affichage se mette à clignoter rapidement.

Pour parcourir le menu :

- ▶ Appuyez sur la touche  ou .

Pour modifier un paramètre :

1. Sélectionnez le paramètre devant être réglé.
2. Appuyez sur la touche **PRG** jusqu'à ce que le point décimal clignote à sont tour.

Affichage	Motorisation de	Réglages actifs		
		Menu 4	Menu 7	Menu 9
	Porte sectionnelle	0, 2, 5	1, 2, 5	1, 3, 5, 9
	Porte basculante ¹⁾	0, 2, 5	0, 2, 5	1, 3, 5, 8
	Porte basculante ²⁾	0, 2, 5	1, 2, 5	0, 3, 6, 9
	Porte sectionnelle latérale...	0, 2, 5	1, 2, 5	1, 3, 5, 8, A
	Porte coulissante ⁴⁾	0, 4, 5	1, 2, 5	1, 3, 5, 8, b

1) Une porte basculant vers l'extérieur

2) Une porte basculant vers l'intérieur

3) En fonction du type de motorisation

4) Pour ce type de porte, un listel de contact à résistance 8k2 doit être montée sur le côté de fermeture complémentaire dans le sens *Ouvert*, puis raccordé à la motorisation via l'unité d'analyse 8k2-1T.

REMARQUE :

- ▶ Pour les portes à vantaux, sélectionnez le paramètre **3**.

Si le comportement de la porte doit être modifié :

- ▶ Sélectionnez les réglages nécessaires dans les menus **7** et **9**.

4.5 MENU 1 – Apprentissage du trajet d'apprentissage / de la motorisation

- ▶ A l'aide de la touche **PRG**, sélectionnez le menu **1**.

Ce menu permet de régler la motorisation en fonction de la porte. Ce faisant, la longueur de déplacement, l'effort nécessaire à l'ouverture ainsi qu'à la fermeture et éventuellement les dispositifs de blocage raccordés sont appris et enregistrés automatiquement.

4.5.1 Apprentissage des positions finales et des dispositifs de blocage raccordés

- ▶ Voir figure 22

REMARQUES :

- Les dispositifs de blocage doivent être montés et raccordés avant l'apprentissage de la motorisation.
- Si d'autres dispositifs de blocage sont raccordés ultérieurement, l'apprentissage automatique de la motorisation requiert un nouveau trajet d'apprentissage ou le paramètre correspondant doit être réglé manuellement dans le menu **4**.




Avant le premier trajet d'apprentissage dans le sens *Fermé*, la présence de dispositifs de blocage raccordés est vérifiée. Si tel est le cas, le menu **4** est réglé automatiquement.

REMARQUE :

Le chariot de guidage doit être couplé (voir figure 6) et aucun obstacle ne doit se trouver dans la zone de fonctionnement des dispositifs de blocage !

- Le cas échéant, amenez la commande en mode apprentissage en sélectionnant le menu **1** à l'aide de la touche **PRG**.

Sur l'affichage, un **L** clignotant apparaît après le **1** :


1. Appuyez sur la touche .
La porte se déplace jusqu'à la position finale *Ouvert*.
2. Appuyez sur la touche .
La porte se déplace jusqu'à la position finale *Fermé*. Cette opération est automatiquement suivie d'un trajet d'ouverture complet au terme duquel un **L** clignotant rapidement apparaît dans l'affichage.
3. Appuyez de nouveau sur la touche .
La porte se déplace jusqu'à la position finale *Fermé*. Une fois la position finale *Fermé* atteinte, un nouveau trajet d'ouverture complet est effectué automatiquement. Le cycle suivant (un trajet d'ouverture et un trajet de fermeture) est alors effectué automatiquement par la motorisation.

Un fois la position finale *Ouvert* atteinte, un chiffre clignote. Il indique l'effort maximal déterminé.

REMARQUE :

L'affichage de l'effort maximal déterminé a les significations suivantes :

- 0-2 Rappports d'efforts optimum.
- 3-9 Mauvais rapports d'efforts.
L'installation de porte doit être vérifiée et à nouveau réglée.

 AVERTISSEMENT
<p>Risque de blessure en raison de dispositifs de blocage défectueux</p> <p>En cas de dysfonctionnement, des dispositifs de blocage en panne peuvent provoquer des blessures.</p> <ul style="list-style-type: none"> ► Une fois les trajets d'apprentissage terminés, le responsable de la mise en service doit contrôler la / les fonction(s) du / des dispositif(s) de blocage ainsi que les réglages du menu 4. <p>Ce n'est que lorsque ces opérations sont achevées que l'installation est opérationnelle.</p>

REMARQUE :

La motorisation est équipée d'une protection contre la surcharge. Si, en l'espace de deux minutes, deux trajets rapides ont lieu dans le sens *Ouvert*, la protection contre la surcharge réduit la vitesse de déplacement, c'est-à-dire que les trajets en sens *Ouvert* et *Fermé* sont effectués à la même vitesse. Après un temps de repos de deux minutes, le trajet suivant dans le sens *Ouvert* est à nouveau effectué de manière rapide.



4.6 Réinitialisation de la commande / aux réglages d'usine


- Voir figure 33

Pour réinitialiser la commande :

1. Débranchez la fiche secteur et, le cas échéant, la fiche de la batterie de secours.
2. Appuyez sur la touche **PRG** et maintenez-la enfoncée.
3. Enfichez à nouveau la prise secteur.
4. Dès que la lettre **C** apparaît, relâchez la touche **PRG**.
5. Ajustez la motorisation et procédez à son apprentissage.

5 Système radio

 AVERTISSEMENT	
	<p>Risque de blessure en raison d'un mouvement de porte</p> <p>L'utilisation d'un émetteur est susceptible de blesser des personnes en raison du mouvement de porte.</p> <ul style="list-style-type: none"> ► Assurez-vous que les émetteurs restent hors de portée des enfants et qu'ils sont uniquement utilisés par des personnes déjà initiées au fonctionnement de l'installation de porte télécommandée ! ► Vous devez en règle générale commander l'émetteur avec contact visuel direct à la porte si cette dernière ne dispose que d'un dispositif de blocage ! ► N'empruntez l'ouverture de porte télécommandée en véhicule ou à pied que lorsque la porte de garage s'est immobilisée en position finale <i>Ouvert</i> ! ► Ne restez jamais sous la porte lorsqu'elle est ouverte. ► Veuillez observer que l'une des touches d'émetteur peut être actionnée par mégarde (par ex. dans une poche / un sac à main) et ainsi provoquer un trajet de porte involontaire.

 PRECAUTION
<p>Risque de blessure en raison d'un trajet de porte involontaire</p> <p>Pendant la procédure d'apprentissage du système radio, des trajets de porte involontaires peuvent se déclencher.</p> <ul style="list-style-type: none"> ► Il convient de s'assurer qu'aucune personne ni aucun objet ne se trouve dans la zone de déplacement de la porte lors de l'apprentissage du système radio.

ATTENTION
<p>Altération du fonctionnement dû à des influences environnementales</p> <p>En cas de non respect, le fonctionnement peut être altéré !</p> <p>Protégez l'émetteur des influences suivantes :</p> <ul style="list-style-type: none"> • Exposition directe au soleil (température ambiante autorisée : -20 °C à +60 °C) • Humidité • Poussière

REMARQUES :

- Si le garage ne dispose pas d'un accès séparé, toute modification ou extension des programmations doit avoir lieu à l'intérieur même du garage.
- Après la programmation ou l'extension du système radio, procédez toujours à un essai de fonctionnement.
- Pour la mise en service ou l'extension du système radio, utilisez exclusivement des pièces d'origine.
- Les impératifs locaux peuvent exercer une influence sur la portée du système radio. De plus, l'utilisation simultanée de téléphones portables GSM 900 peut affecter la portée.

6 Sélection des fonctions

REMARQUE :

Dans les menus composés de plusieurs blocs de paramètres, un seul paramètre peut être activé pour chaque bloc.

6.1 MENU P

Ce menu permet de régler :

- La position *Ouverture partielle* (paramètre 3)
- Limite d'inversion SKS/VL (paramètre 4)

Affichage	Radio	Fonction
(3)	-	Réglage de la position <i>Ouverture partielle</i>
(4)	-	Limite d'inversion SKS/VL (SKS pré-réglée)

6.1.1 Réglage de la position *Ouverture partielle*

► Voir figure 23.1



REMARQUE :

Le réglage de la position *Ouverture partielle* est uniquement possible lorsque la motorisation a effectué son apprentissage.

La position *Ouverture partielle* peut être réglée dans le menu P via le paramètre 3 :

L'affichage clignote lentement.

1. Appuyez sur la touche **PRG** jusqu'à ce que le point décimal clignote.
Le paramètre est activé.
2. A l'aide des touches \uparrow et \downarrow , déplacez la porte en service homme mort.
3. Lorsque la position souhaitée est atteinte, appuyez sur la touche **PRG** jusqu'à ce que l'affichage se mette à clignoter rapidement.
Le point décimal s'éteint et l'affichage clignote lentement.

REMARQUE :

La plage de réglage de la position *Ouverture partielle* s'étend de la position finale *Ouvert* jusqu'à env. 120 mm (parcours du chariot) avant la position *Fermé*. Le réglage d'usine standard est situé à env. 260 mm (parcours du chariot) avant la position finale *Fermé*.

6.1.2 Réglage de la limite d'inversion SKS/VL

► Voir figure 23.2

REMARQUE :

Le réglage de la limite d'inversion SKS/VL est uniquement possible lorsque les conditions préalables suivantes sont remplies :

- La motorisation est apprise.
- Dans le menu 4, le paramètre 3 ou 4 est activé.

Le menu P permet de régler la limite d'inversion SKS/VL via le paramètre 4. La limite d'inversion SKS/VL est pré-réglée pour la sécurité de contact avant la position finale *Fermé*.

Pour régler la limite d'inversion SKS/VL :

1. Appuyez sur la touche **PRG** jusqu'à ce que le point décimal s'allume.
Le paramètre 4 est ainsi sélectionné et activé.
2. A l'aide de la touche \uparrow , déplacez la motorisation dans la position finale *Ouvert*.
3. Placez un testeur (max. 300 x 50 x 16,25 mm, par ex. un mètre pliant) au niveau du milieu de porte de sorte qu'il repose sur le sol, face la plus fine vers le haut, dans la plage de la cellule photoélectrique avancée.
4. Appuyez sur la touche \downarrow .

- La porte se déplace jusqu'à ce que le dispositif de blocage détecte le testeur.
- La position est enregistrée et contrôlée quant à sa plausibilité.
- La motorisation inverse le déplacement.
- Si le processus est effectué avec succès, l'affichage clignote rapidement.
- Le paramètre apparaît ensuite sans point décimal et clignote lentement.

5. Revenez au fonctionnement normal (menu 0) à l'aide de la touche **PRG**.

6.2 MENU 2

1. A l'aide de la touche **PRG**, sélectionnez le menu 2.
 - Après sélection, le numéro de menu reste affiché quelques instants à l'écran.
 - Le paramètre de menu activé (durée d'éclairage résiduel) apparaît ensuite avec un point décimal en clignotant rapidement.
2. Appuyez sur la touche \uparrow ou \downarrow afin de parcourir le menu, puis sélectionnez les paramètres à modifier.
3. Appuyez sur la touche **PRG** jusqu'à ce que le point décimal clignote.
4. Revenez au fonctionnement normal (menu 0) à l'aide de la touche **PRG**.

6.2.1 Lampe de motorisation – Réglage de la durée d'éclairage résiduel

► Voir figure 24.1

Le menu 2 commande le relais d'éclairage interne.

Si un paramètre > 0 (1 à 5) est sélectionné, le relais d'éclairage s'enclenche dès que la porte se met en mouvement.

Au terme du trajet de porte, la lampe de motorisation reste allumée selon le temps réglé (durée d'éclairage résiduel).

6.2.2 Lampe de motorisation – Réglage de la durée d'éclairage et activation par onde radio ou bouton externe

► Voir figure 24.2

Les paramètres 6 à 9 permettent de régler la durée d'éclairage de la lampe de motorisation qui peut être enclenchée soit par onde radio, soit par un bouton extérieur (par ex. bouton-poussoir IT 3b).

La lampe de motorisation peut également être éteinte de manière anticipée par le biais des mêmes éléments de commande (onde radio ou bouton extérieur).

6.2.3 Radio externe

► Voir figure 24.3

Si un récepteur radio externe à 2 canaux est raccordé à la motorisation, il est possible de choisir si le second canal doit être utilisé pour la commande de la lampe de motorisation (paramètre A) ou pour l'*Ouverture partielle* (paramètre b).

Si un récepteur radio externe à 3 canaux est raccordé à la motorisation, aucun autre réglage n'est nécessaire.

REMARQUE :

Lors du trajet de porte, la lumière ne peut être ni allumée ni éteinte.

Affichage	Fonction
Durée d'éclairage résiduel de la lampe de motorisation	
(0)	Inactive
(1)	1 minute
(2)	2 minutes
(3)	3 minutes
(4)	4 minutes
(5)	5 minutes
Lampe de motorisation / durée d'éclairage (onde radio, bouton externe)	
(6)	Inactive
(7)	5 minutes
(8)	10 minutes
(9)	15 minutes
Radio / Fonction du 2ème canal	
(A)	Lampe de motorisation
(b)	Ouverture partielle

- Revenez au fonctionnement normal (menu 0) à l'aide de la touche **PRG**.

6.3 MENU 0 – Fonctionnement normal

En fonctionnement normal, la motorisation de porte de garage travaille avec la commande séquentielle à impulsion qui est déclenchée par un bouton extérieur ou un code radio appris :

- 1ère impulsion : La porte se déplace en direction d'une position finale.
 2ème impulsion : La porte s'arrête.
 3ème impulsion : La porte repart dans le sens opposé.
 4ème impulsion : La porte s'arrête.
 5ème impulsion : La porte repart dans la direction de la position finale choisie lors de la 1ère impulsion.

etc.

6.3.1 Comportement de la motorisation de porte de garage après deux trajets d'ouverture rapides consécutifs

REMARQUE :

La motorisation est équipée d'une protection contre la surcharge. Si, en l'espace de deux minutes, deux trajets rapides ont lieu dans le sens *Ouvert*, la protection contre la surcharge réduit la vitesse de déplacement, c'est-à-dire que les trajets en sens *Ouvert* et *Fermé* sont effectués à la même vitesse. Après un temps de repos de deux minutes, le trajet suivant dans le sens *Ouvert* est à nouveau effectué de manière rapide.

7 Menus spéciaux

7.1 Sélection des menus spéciaux

Pour appeler les menus spéciaux (menu 3 – menu A) :

- Dans le menu 2, appuyez simultanément sur les touches et .
- Sélectionnez ensuite les menus spéciaux à l'aide de la touche **PRG**.

7.2 Remarques concernant les menus spéciaux

Après sélection, le numéro de menu reste affiché quelques instants à l'écran. Le premier paramètre de menu activé apparaît ensuite en clignotant lentement.

- Pour parcourir le menu, appuyez sur la touche ou . Les paramètres actifs sont représentés par un point décimal allumé.
- Pour modifier un paramètre, appuyez sur la touche **PRG** jusqu'à ce que l'affichage se mette à clignoter rapidement.
- Pour naviguer dans les différents menus, appuyez sur la touche ou . Le paramètre actif est signalé par un point décimal allumé.
- Pour activer un paramètre, appuyez sur la touche **PRG** jusqu'à ce que le point décimal s'allume.

Si la touche **PRG** est relâchée prématurément, la commande passe au menu suivant.

Si aucune touche n'est actionnée tandis que la motorisation est apprise, la commande passe automatiquement en fonctionnement normal (menu 0).

7.2.1 Affichage à 7 segments en cas de passage du menu client aux menus spéciaux

REMARQUE :

En cas de passage aux menus spéciaux et selon le réglage actuel du menu 2, un chiffre compris entre 0 et 5 accompagné d'un point décimal peut apparaître en clignotant dans l'affichage à 7 segments.

7.2.2 Affichage à 7 segments après sélection d'un menu spécial

REMARQUE :

Après sélection d'un menu spécial et selon le menu, un chiffre compris entre 0 et 9 accompagné d'un point décimal peut apparaître en clignotant dans l'affichage à 7 segments. Ce chiffre indique le (premier) paramètre actif.

7.3 MENU 3 – Fermeture automatique

- Voir figure 25

REMARQUE :

La fermeture automatique ne peut être activée que si au moins un dispositif de blocage est actif (menu 4).

Affichage	Fermeture automatique
(0)	Inactive
(1)	Après 10 secondes
(2)	Après 20 secondes
(3)	Après 30 secondes
(4)	Après 45 secondes

Affichage	Fermeture automatique
(5)	Après 60 secondes
(6)	Après 90 secondes
(7)	Après 120 secondes
(8)	Après 150 secondes
(9)	Après 180 secondes

REMARQUE :

Lorsque la motorisation reçoit une impulsion lors de la fermeture automatique (menu 3, paramètre > 0), la porte s'immobilise et s'ouvre à nouveau.

- Revenez au fonctionnement normal (menu 0) à l'aide de la touche **PRG**.

7.4 MENU 4 – Dispositifs de blocage

- Voir figure 26

Affichage	Fonction
Cellule photoélectrique	
(0)	Absente
(1)	Présente (avec test dynamique)
SKS/VL sans test	
(2)	Absente
(3)	Présente
SKS/VL avec test	
(4)	Présente
Contact de portillon incorporé avec test	
(5)	Absent
(6)	Présent

REMARQUE :

Les dispositifs de blocage sans test doivent être contrôlés tous les six mois.

- Revenez au fonctionnement normal (menu 0) à l'aide de la touche **PRG**.

7.5 MENU 5 – Réglage du temps d'avertissement, du relais d'option et de l'affichage de maintenance

- Voir figure 27

7.5.1 Affichage de maintenance

Si l'affichage de maintenance est activé (paramètre A), la lampe de motorisation clignote au terme de chaque trajet de porte lorsque l'intervalle de maintenance de l'installation de porte prescrit est dépassé.

L'affichage de maintenance peut être réinitialisé lorsqu'un trajet d'apprentissage a été effectué.

7.5.2 Vue d'ensemble des intervalles de maintenance**Motorisation pour garages simples et doubles**

1 an d'exploitation ou 2000 cycles de porte

Motorisation pour garages souterrains et collectifs

1 an d'exploitation ou 10 000 cycles de porte

Affichage	Fonction
Temps d'avertissement / externe avec relais d'option *	
(0)	Inactif
(1)	5 secondes
(2)	10 secondes
Relais d'option *	
(3)	Inactif
(4)	Le relais commute pendant le temps d'avertissement et le trajet de porte.
(5)	Le relais est enclenché pendant le temps d'avertissement et le trajet de porte.
(6)	Le relais s'enclenche en même temps que l'allumage de la lampe de motorisation. Durant le temps d'avertissement, celui-ci est enclenché lorsque les paramètres 1 à 5 du menu 2 sont activés.
(7)	Le relais est enclenché pendant le trajet de porte.
(8)	Le relais s'enclenche durant 1 seconde au démarrage du trajet ou du temps d'avertissement, par ex. une impulsion d'effacement pour la commutation d'une minuterie de cage d'escalier doté d'un indice de charge de 100 %.
Affichage de maintenance	
(9)	Inactif
(A)	Actif

* Accessoires non compris dans l'équipement standard !


7.6 MENU 6 – Limiteur d'effort lors du trajet dans le sens Fermé

► Voir figure 28

Ce menu permet de régler la sensibilité du limiteur d'effort automatique à la fermeture (réglage d'usine : paramètre 4).

REMARQUE :

Une augmentation de la valeur d'effort (paramètre > 4) est uniquement possible si le paramètre 3 du menu J a été sélectionné.

 PRECAUTION
<p>Risque de blessure en raison d'un réglage trop élevé de l'effort (menus 6 et 8)</p> <p>En cas de réglage trop élevé de l'effort, la sensibilité du limiteur d'effort faiblit. Cela peut provoquer des blessures ou des dommages matériels.</p> <p>► Ne réglez pas l'effort de manière trop élevée.</p>

Pour les portes à déplacement particulièrement aisé, il est possible de sélectionner une valeur inférieure afin d'augmenter la sensibilité aux obstacles.

► Revenez au fonctionnement normal (menu 0) à l'aide de la touche **PRG**.

7.6.1 Vérification des efforts dans le sens Fermé

En cas de modification des réglages du menu 6, les efforts dans le sens *Fermé* définis dans le cadre de la norme EN 12453 doivent être respectés, cela signifie qu'il faut ensuite impérativement procéder à une inspection.







7.7 MENU 7 – Comportement lors du trajet dans le sens Fermé

► Voir figure 29

Ce menu permet de régler le déchargement automatique de la sangle / courroie, le comportement au freinage ainsi que la vitesse dans le sens *Fermé*.

REMARQUE :

Après un nouveau réglage du menu, un trajet d'apprentissage peut s'avérer nécessaire.

Affichage	Fonction
Arrêt progressif	
	Long
	Court
Déchargement	
	Automatique
	Long
Vitesse	
	Lente
	Normale

► Revenez au fonctionnement normal (menu 0) à l'aide de la touche **PRG**.


7.8 MENU 8 – Limiteur d'effort lors du trajet dans le sens Ouvert

► Voir figure 30

Ce menu permet de régler la sensibilité du limiteur d'effort automatique à l'ouverture (réglage d'usine : paramètre 4).

REMARQUE :

Une augmentation de la valeur d'effort (paramètre > 4) est uniquement possible si paramètre 3 du menu J a été sélectionné.

 PRECAUTION
<p>Risque de blessure en raison d'un réglage trop élevé de l'effort (menus 6 et 8)</p> <p>En cas de réglage trop élevé de l'effort, la sensibilité du limiteur d'effort faiblit. Cela peut provoquer des blessures ou des dommages matériels.</p> <p>► Ne réglez pas l'effort de manière trop élevée.</p>

Pour les portes à déplacement particulièrement aisé, il est possible de sélectionner une valeur inférieure afin d'augmenter la sensibilité aux obstacles.

► Revenez au fonctionnement normal (menu 0) à l'aide de la touche **PRG**.

7.8.1 Vérification des efforts dans le sens Ouvert

En cas de modification des réglages du menu 8, les efforts dans le sens *Ouvert* définis dans le cadre de la norme EN 12453 doivent être respectés, cela signifie qu'il faut ensuite impérativement procéder à une inspection.








7.9 MENU 9 – Comportement lors du trajet dans le sens Ouvert

► Voir figure 31

Ce menu permet de régler le déchargement automatique de la sangle / courroie ainsi que le comportement au freinage dans le sens *Ouvert*.

REMARQUE :

Après un nouveau réglage du menu, un trajet d'apprentissage peut s'avérer nécessaire.

Affichage	Fonction
Arrêt progressif	
	Très long
	Long
	Court
Déchargement	
	Automatique
	Court
Démarrage progressif en partance de la position finale <i>Fermé</i>	
	Court
	Long

Affichage	Fonction
Vitesse	
	Lente
	Normale
	Rapide
Réaction en cas de limiteur d'effort	
	Arrêt
	Brève inversion

1) Ce paramètre correspond au réglage d'usine lorsque le paramètre 4 (porte de garage coulissante) du menu J est réglé.

Remarques concernant les paramètres :

Paramètre	Remarque
0, 6	Ces paramètres sont adaptés aux caractéristiques des portes basculantes.
A, b	Ces paramètres doivent uniquement être réglés si le paramètre 3 du menu J a été sélectionné. Dans les autres cas, c'est le paramètre A qui est actif dans ce menu.
b	Si, lors d'un trajet dans le sens <i>Ouvert</i> , l'erreur 5 (limiteur d'effort) survient, la porte se déplace brièvement (environ 10 cm du parcours de chariot) dans le sens opposé puis s'immobilise.

- ▶ Revenez au fonctionnement normal (menu 0) à l'aide de la touche **PRG**.

7.10 MENU A – Effort maximum

- ▶ Voir figure 32

Ce menu permet de régler l'effort du limiteur d'effort.

Affichage	Effort maximal du limiteur d'effort

REMARQUE :

Une augmentation de la valeur d'effort (paramètre > 0) est uniquement possible si le paramètre 3 du menu J a été sélectionné.

- ▶ Revenez au fonctionnement normal (menu 0) à l'aide de la touche **PRG**.

8 Fonctionnement

AVERTISSEMENT	
	<p>Risque de blessure en raison d'un mouvement de porte</p> <p>Le mouvement de porte est susceptible d'entraîner des dommages corporels ou matériels dans la zone de déplacement.</p> <ul style="list-style-type: none"> ▶ Les enfants ne doivent pas jouer à proximité de l'installation de porte. ▶ Assurez-vous qu'aucune personne et qu'aucun objet ne se trouve dans la zone de déplacement de la porte. ▶ Si l'installation de porte ne dispose que d'un dispositif de blocage, faites fonctionner la motorisation de porte de garage uniquement lorsque vous pouvez voir la zone de déplacement de la porte. ▶ Surveillez le trajet de porte jusqu'à ce que cette dernière ait atteint sa position finale. ▶ N'empruntez l'ouverture de porte télécommandée en véhicule ou à pied que lorsque la porte de garage s'est immobilisée en position finale Ouvert ! ▶ Ne restez jamais sous la porte lorsqu'elle est ouverte.

PRECAUTION	
<p>Risque d'écrasement dans le rail de guidage</p> <p>Toute manipulation du rail de guidage durant le trajet de porte comporte un risque d'écrasement.</p> <ul style="list-style-type: none"> ▶ Durant un trajet de porte, n'introduisez jamais les doigts dans le rail de guidage. 	

PRECAUTION	
<p>Risque de blessure en raison de la tirette à corde</p> <p>Si vous vous suspendez à la tirette à corde, cette dernière peut céder et vous pouvez vous blesser. La motorisation peut se détacher et blesser les personnes se trouvant en dessous, endommager des objets ou se détériorer en chutant.</p> <ul style="list-style-type: none"> ▶ Ne vous suspendez pas à la tirette à corde. 	

⚠ PRECAUTION

Risque de blessure en raison de mouvements de porte incontrôlés dans le sens *Fermé* et en cas de rupture du ressort de torsion et de déverrouillage du chariot de guidage

Le chariot de guidage peut se déverrouiller de manière incontrôlée si aucun set d'extension n'est monté.

- ▶ Le monteur responsable doit monter un set d'extension sur le chariot de guidage lorsque les conditions suivantes sont pertinentes :
 - La norme DIN EN 13241-1 s'applique.
 - La motorisation de porte de garage doit être montée ultérieurement par un spécialiste sur une **porte sectionnelle sans sécurité rupture de ressort (série 30)**.

Ce set se compose d'une vis sécurisant le chariot de guidage de tout déverrouillage incontrôlé et d'un panneau pour tirette à corde, dont les images décrivent la façon de manier le set et le chariot de guidage pour les deux modes de service du rail de guidage.

REMARQUE :

L'utilisation d'un débrayage de secours ou d'un verrou de débrayage de secours est **impossible** en combinaison avec le set d'extension.

⚠ PRECAUTION

Risque de blessure en raison de l'ampoule brûlante

Toute manipulation de la lampe réflecteur à lumière froide pendant ou directement après l'exploitation est susceptible d'entraîner des brûlures.

- ▶ Ne touchez pas la lampe réflecteur à lumière froide lorsque celle-ci est allumée ou vient d'être éteinte.

ATTENTION

Endommagement dû au câble de déverrouillage mécanique

Tout accrochage accidentel du câble de déverrouillage mécanique dans la galerie de toit ou dans une quelconque saillie du véhicule ou de la porte est susceptible d'entraîner des dommages matériels.

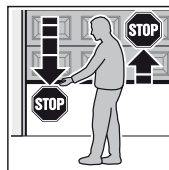
- ▶ Veillez à ce que le câble ne puisse rester accroché.

Surchauffe de l'éclairage

La surchauffe de la lampe de motorisation peut entraîner des dommages matériels en cas de distance rapprochée.

- ▶ La distance aux matériaux inflammables ou aux surfaces sensibles à la chaleur doit être d'au minimum 0,1 m (voir figure 7).

8.2 Essai de fonctionnement



- ▶ Afin de vérifier le rappel automatique de sécurité, retenez la porte avec les deux mains pendant que ce dernier se ferme. L'installation de porte doit s'immobiliser et amorcer le rappel automatique de sécurité. De même, lorsque la porte s'ouvre, l'installation de porte doit s'interrompre et bloquer la porte.

- ▶ En cas de défaillance du rappel automatique de sécurité, confiez directement la vérification / réparation à un spécialiste.

8.3 Fonctions des différents codes radio pour un récepteur externe à 3 canaux

8.3.1 Canal 1 / Impulsion

En fonctionnement normal, la motorisation de porte de garage travaille avec la commande séquentielle à impulsion qui est déclenchée par le code radio *Impulsion* appris ou par un bouton extérieur :

- 1ère impulsion : La porte se déplace en direction d'une position finale.
- 2ème impulsion : La porte s'immobilise.
- 3ème impulsion : La porte repart dans le sens opposé.
- 4ème impulsion : La porte s'immobilise.
- 5ème impulsion : La porte repart dans la direction de la position finale choisie lors de la 1ère impulsion.

etc.

8.3.2 Canal 2 / Eclairage

La lampe de motorisation peut être allumée ou éteinte de manière anticipée par le biais du code radio *Eclairage* appris.

8.3.3 Canal 3 / Ouverture partielle

Si la porte ne se trouve **pas en ouverture partielle**, elle peut être déplacée dans cette position à l'aide du code radio *Ouverture partielle*.

Si la porte se trouve **en ouverture partielle**, elle se déplace en position finale *Fermé* à l'aide du code radio *Ouverture partielle* et en position finale *Ouvert* à l'aide du code radio *Impulsion*.

8.4 Comportement lors d'une panne d'électricité

Pour pouvoir ouvrir ou fermer la porte de garage manuellement durant une panne d'électricité, celle-ci doit être débrayée du chariot de guidage.

- ▶ Voir chapitre 3.4.1
Modes de service du rail de guidage / Fonctionnement manuel

8.5 Comportement après une panne d'électricité

Une fois l'électricité revenue, le chariot de guidage doit à nouveau être embrayé.

- ▶ Voir chapitre 3.4.1
Modes de service du rail de guidage / Fonctionnement automatique

8.1 Instruction des utilisateurs

- ▶ Initiez toutes les personnes utilisant l'installation de porte à la commande sûre et conforme de la motorisation de porte de garage.
- ▶ Faites-leur une démonstration et un test du déverrouillage mécanique, ainsi que du rappel automatique de sécurité.

9 Inspection et maintenance

La motorisation de porte de garage est sans entretien.

Pour votre propre sécurité, nous vous recommandons cependant de faire inspecter et entretenir l'installation de porte par un spécialiste, conformément aux spécifications du fabricant.

AVERTISSEMENT

Risque de blessure en raison d'un trajet de porte inattendu

Un trajet de porte inattendu peut survenir si de tierces personnes remettent l'installation de porte en marche par inadvertance lors de travaux d'inspection et de maintenance.

- ▶ Avant tout travail sur l'installation de porte, débranchez la fiche secteur **et** la fiche de la batterie de secours.
- ▶ Protégez l'installation de porte de toute remise en marche intempestive.

Toute inspection ou réparation nécessaire ne doit être effectuée que par un spécialiste. Pour cela, adressez-vous à votre fournisseur.

L'exploitant peut cependant procéder au contrôle visuel.

- ▶ Contrôlez toutes les fonctions de sécurité et de protection **mensuellement**.
- ▶ Toute défaillance et tout défaut doivent être réparés **immédiatement**.

9.1 Ampoule de remplacement

PRECAUTION

Risque de blessure en raison de l'ampoule brûlante

Toute manipulation de la lampe réflecteur à lumière froide pendant ou directement après l'exploitation est susceptible d'entraîner des brûlures.

- ▶ Ne touchez pas la lampe réflecteur à lumière froide lorsque celle-ci est allumée ou vient d'être éteinte.

Lorsque l'éclairage est allumé, la douille de lampe est soumise à une tension alternative de 12 V CA.

- ▶ En règle générale, la lampe réflecteur à lumière froide ne doit être remplacée que lorsque la motorisation se trouve hors tension.
- ▶ Pour l'insertion / le remplacement de la lampe de motorisation, voir figure 34.

Type	Uniquement lampe réflecteur à lumière froide avec verre de protection et protection anti-UV
Socle	GU 5,3
Puissance nominale	20 W
Tension nominale	12 V
Angle de rayonnement	36° – 60°
Diamètre	51 mm
Couleur de la lampe	Transparente

10 Démontage et élimination

REMARQUE :

Lors du démontage, respectez toutes les prescriptions en matière de sécurité sur le lieu de travail.

Faites démonter et éliminer la motorisation de porte de garage par un spécialiste selon les présentes instructions dans l'ordre inverse des étapes de montage.

11 Conditions de garantie

Garantie

Nous déclinons toute responsabilité et n'appliquons aucune garantie produit au cas où, sans accord préalable de notre part, vous effectueriez des modifications structurelles ou procéderiez à des installations inappropriées, contrairement aux directives de montage que nous avons fixées. En outre, nous ne saurions être tenus responsables en cas de fonctionnement accidentel ou impropre de la motorisation et des accessoires, d'une maintenance incorrecte de la porte et de son système d'équilibrage. Les piles et les ampoules sont également exclues de la garantie.

Durée de la garantie

Outre la garantie légale du vendeur inhérente au contrat de vente, nous accordons, à compter de la date d'achat, les garanties suivantes sur les pièces :

- 5 ans de garantie sur la partie mécanique du bloc-moteur, le moteur et la commande moteur
- 2 ans sur la radio, les accessoires et les équipements spéciaux

Il n'est pas accordé de garantie sur les consommables (par ex. fusibles, piles, ampoules). Le recours à la garantie ne prolonge pas le délai de garantie. Pour la livraison de pièces de rechange et les travaux de remise en état, le délai de garantie est de 6 mois et couvre au moins le délai de garantie initial.

Conditions préalables

La garantie n'est applicable que dans le pays d'achat de l'appareil. Les marchandises doivent avoir été achetées au travers du canal de distribution spécifié par notre société. La garantie porte uniquement sur les dommages subis par l'objet du contrat lui-même. Le remboursement de frais pour le démontage et le montage, le contrôle de ces pièces, ainsi que les revendications de perte de bénéfice et d'indemnités, sont exclus de la garantie.

La preuve d'achat sert de preuve pour la garantie.

11.1 Prestations

Pendant la période de garantie, nous remédions à tous les défauts du produit résultant incontestablement d'un vice de matériaux ou de production. Selon notre choix, nous nous engageons à échanger le produit défectueux contre un produit sans défaut, à l'améliorer ou à convenir d'une moins-value.

En sont exclus, les dommages causés par :

- un montage et un raccordement non conformes
- une mise en service et une commande non conformes
- des influences extérieures, telles que le feu, l'eau, des conditions environnementales anormales,
- des détériorations mécaniques par le biais d'accident, de chute ou de choc
- une destruction volontaire ou involontaire
- une usure normale ou un manque de maintenance
- des réparations effectuées par des personnes non qualifiées
- une utilisation de pièces d'origine étrangère
- un retrait ou une détérioration de la plaque d'identification

Les pièces remplacées deviennent notre propriété.

12 Extrait de la déclaration d'incorporation

(Suivant la directive sur les machines 2006/42/CE pour le montage d'une machine incomplète, conformément à l'annexe II, partie 1 B.)

Le produit décrit au dos est développé, construit et fabriqué en conformité avec les directives suivantes :

- Directive CE Machines 2006/42/CE
- Directive CE sur les produits de construction 89/106/CEE
- Directive CE Basse tension 2006/95/CE
- Directive CE Compatibilité électromagnétique 2004/108/CE

Normes et spécifications apparentées et connexes :

- EN ISO 13849-1, PL « c », cat. 2
Sécurité des machines – Parties des systèmes de commande relatives à la sécurité – Partie 1 : principes généraux de conception
- EN 60335-1/2, si applicable
Sécurité des appareils électroniques / Motorisations de porte de garage
- EN 61000-6-3
Compatibilité électromagnétique – Emissions parasites
- EN 61000-6-2
Compatibilité électromagnétique – Résistance aux parasitages

Les machines incomplètes au sens de la directive 2006/42/CE sont uniquement destinées à être intégrées à d'autres machines, machines incomplètes ou installations, ou à être assemblées avec celles-ci afin de former une machine au sens de la directive susmentionnée.

C'est pourquoi ce produit ne doit être mis en service que lorsque le respect des dispositions de la directive CE mentionnée plus haut par la machine / installation entière et par le produit dans laquelle il est intégré a été constaté.

Toute modification du produit non approuvée par nous annule la validité de la présente déclaration.

Fonctions spéciales	<ul style="list-style-type: none"> • Possibilité de raccordement d'un déclencheur stop / d'arrêt • Possibilité de raccordement d'une cellule photoélectrique ou d'une sécurité de contact • Relais d'option pour lampe d'avertissement, éclairage externe supplémentaire raccordable via adaptateur bus HCP
Déverrouillage rapide	En cas de panne de courant, doit être actionné de l'extérieur via un câble de traction
Ferrure universelle	Pour portes sectionnelles et basculantes
Vitesse de déplacement de porte	<ul style="list-style-type: none"> • Pour un trajet dans le sens <i>Fermé</i> max. 14 cm/s¹⁾ • Pour un trajet dans le sens <i>Ouvert</i> max. 22 cm/s¹⁾
Bruit aérien émis par la motorisation de porte de garage	70 dB (A)
Rail de guidage	Ultra-plat (30 mm), avec sécurité anti-relevage intégrée et sangle crantée / courroie dentée sans entretien brevetée

1) Selon le type de motorisation, le type et les dimensions de porte ainsi que le poids du tablier

13 Données techniques











13.1 Motorisation

Connexion secteur	230/240 V, 50/60 Hz
Veille	Env. 4,5 W
Indice de protection	Uniquement pour zones sèches
Automatisme d'arrêt	Appris automatiquement de façon séparée pour les deux sens.
Coupure de position finale / limiteur d'effort	Auto-apprentissage inusable puisque réalisé sans commutateur mécanique, limiteur de fonctionnement supplémentaire d'environ 60 secondes intégré. Pour chaque trajet de porte, automatisme d'arrêt post-ajustable
Charge nominale	Voir plaque d'identification
Force de traction et de poussée	Voir plaque d'identification
Moteur	Moteur à courant continu avec capteur Hall
Transformateur	Avec protection thermique
Raccordement	Système de raccordement sans vis pour appareils externes avec une tension de sécurité basse 24 V CC, tels que bouton-poussoir intérieur et extérieur avec commande à impulsion







14 Affichage des erreurs / messages d'avertissement et états d'exploitation

En cas d'erreur ou d'avertissement, un chiffre accompagné d'un point décimal clignotant rapidement apparaît.

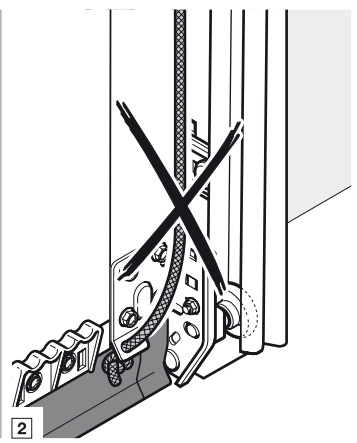
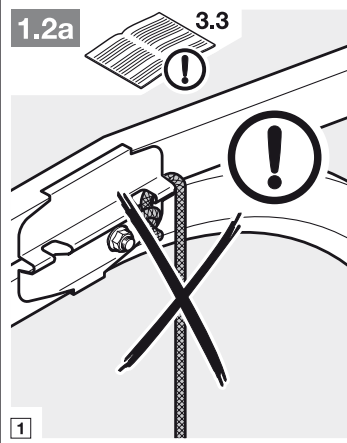
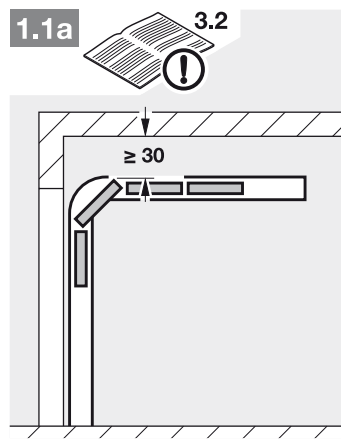
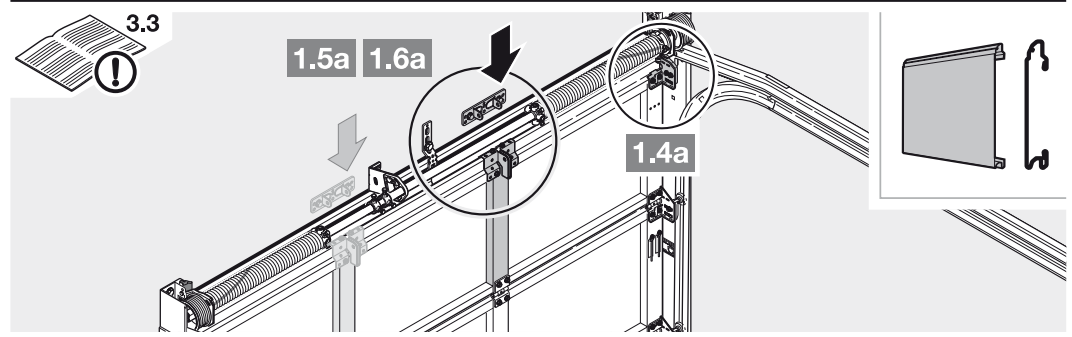
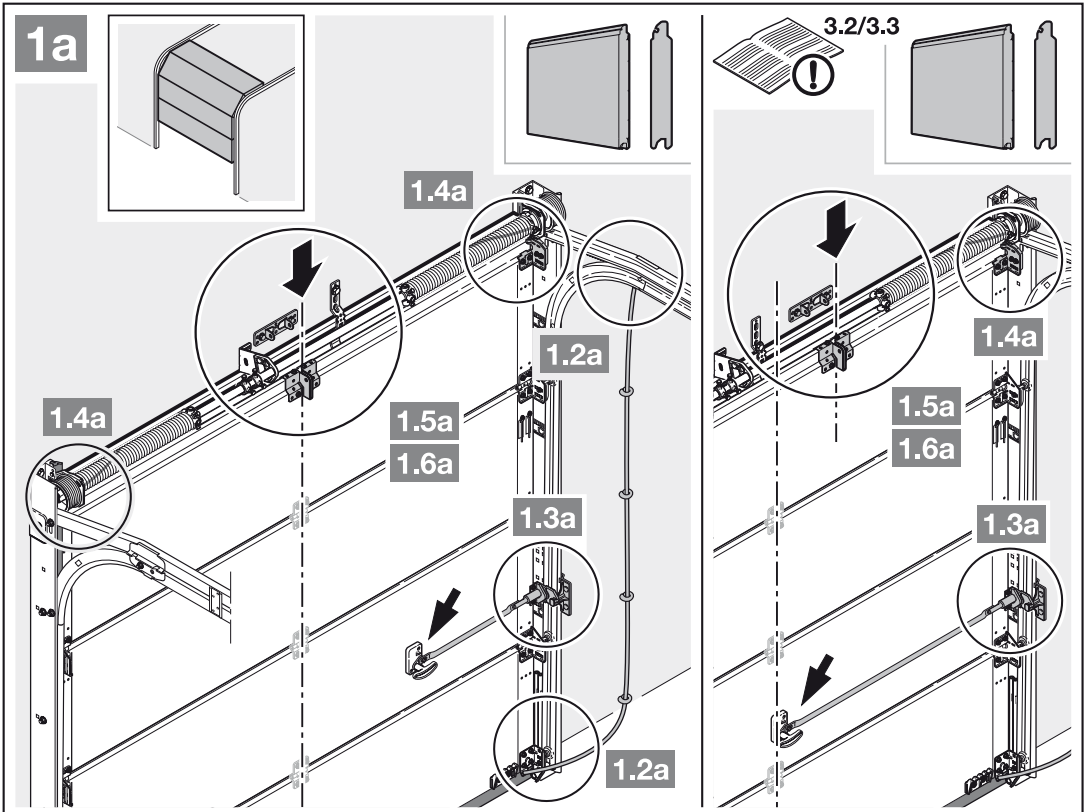
14.1 Affichage d'erreurs et d'avertissements

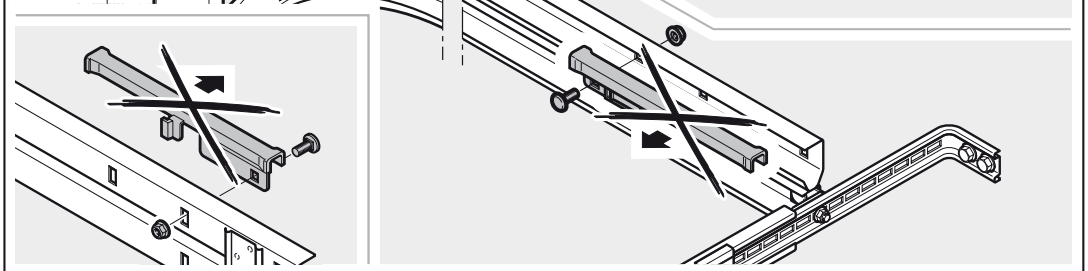
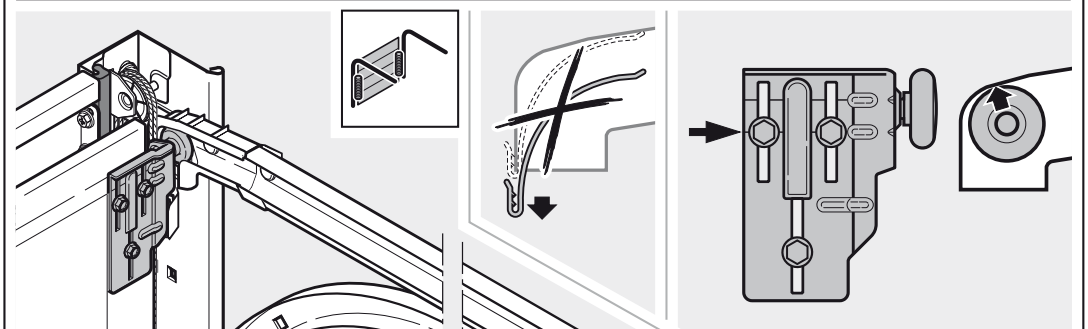
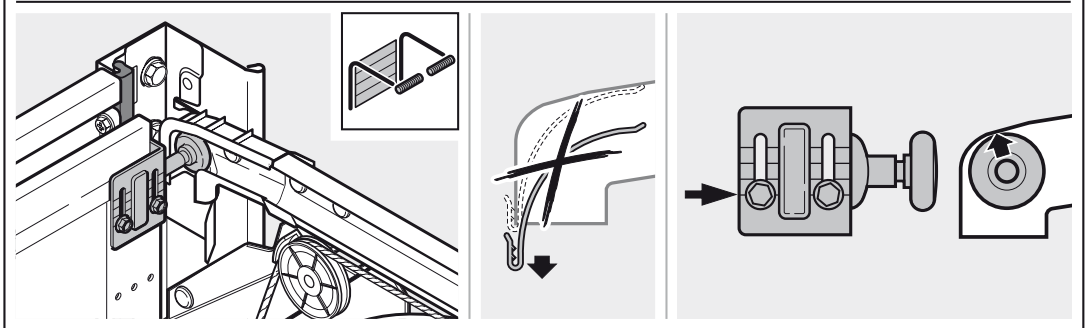
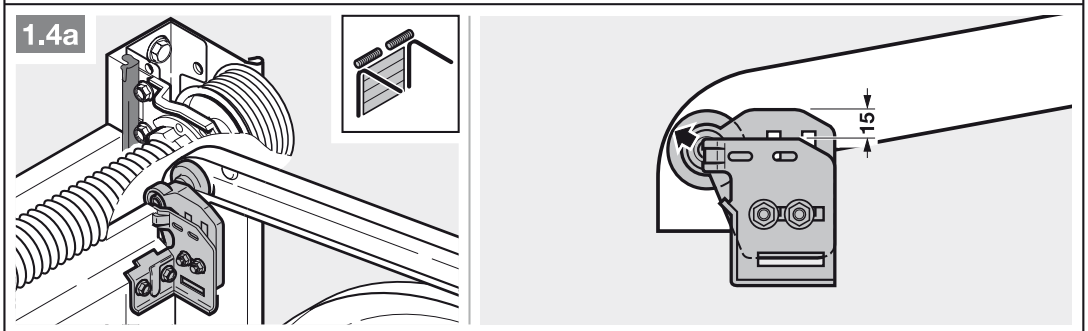
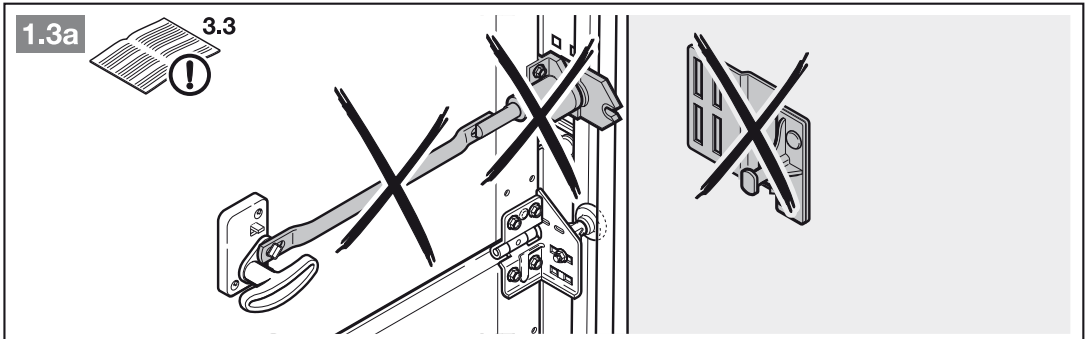
Affichage	Erreur / Avertissement	Cause possible	Remède
	Réglage de la limite d'inversion impossible	Lors du réglage de la limite d'inversion SKS/VL, un obstacle se trouve dans le champ	Ecartez l'obstacle
	Réglage de la hauteur d'ouverture partielle impossible	La hauteur d'ouverture partielle est trop près de la position finale <i>Fermé</i> (≤ 120 mm du parcours de chariot)	Sélectionnez une hauteur d'ouverture partielle plus importante
	Saisie impossible	Dans le menu 4, le paramètre est réglé sur 0 et il y a eu tentative d'activation de la fermeture automatique (menu 3, paramètre 1 à 9)	Activez le(s) dispositif(s) de blocage
	Ordre de démarrage impossible	La motorisation a été verrouillée pour ces éléments de commande et l'ordre de démarrage a été délivré	Autorisez la motorisation pour les éléments de commande
	Limitation de temps	La sangle / courroie s'est rompue	Remplacez la sangle / courroie
		Le motorisation est défectueuse	Remplacez la motorisation
	Erreur système	Erreur interne	Procédez à une réinitialisation au réglage d'usine (voir chapitre 4.6) et à un nouvel apprentissage de la motorisation ou, le cas échéant, remplacez-la
	Limiteur d'effort	La porte est lourde à la manœuvre ou se déplace de manière irrégulière	Corrigez le trajet de porte
		Un obstacle se trouve dans la zone de déplacement de la porte	Ecartez l'obstacle et, le cas échéant, répétez l'apprentissage de la motorisation
	Circuit de veille	Le portillon incorporé est ouvert	Fermez le portillon incorporé
		L'aimant est monté à l'envers	Montez l'aimant à l'endroit (voir instructions du contact de portillon incorporé)
		Le test est hors service	Remplacez le contact de portillon incorporé
	Cellule photoélectrique	Aucune cellule photoélectrique n'est raccordée	Raccordez une cellule photoélectrique ou placez le paramètre du menu 4 sur 0
		Le faisceau lumineux est interrompu	Réglez la cellule photoélectrique
		La cellule photoélectrique est défectueuse	Remplacez la cellule photoélectrique
	Sécurité de contact	Le faisceau lumineux est interrompu	Contrôlez l'émetteur et le récepteur et, le cas échéant, remplacez-les ou remplacez entièrement la sécurité de contact
		Le listel de contact à résistance 8k2 est défectueux ou n'est pas raccordé	Vérifiez le listel de contact à résistance 8k2 ou raccordez-le à la motorisation via l'unité d'analyse 8k2-1T
	Aucun point de référence	Panne du réseau secteur	Déplacez la porte en position finale <i>Ouvert</i>
	Motorisation non apprise	La motorisation n'est pas encore apprise	Procédez à l'apprentissage de la motorisation

14.2 Affichage des états d'exploitation de la motorisation

	La motorisation se trouve en position finale <i>Ouvert</i>		La motorisation se trouve dans une situation intermédiaire
	La motorisation est en cours de fonctionnement		La motorisation se trouve en position finale <i>Fermé</i>
	La motorisation se trouve en position Ouverture partielle		Entrée d'impulsion d'un code radio

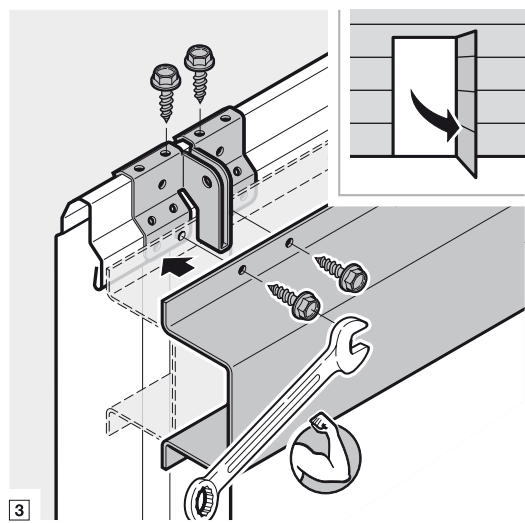
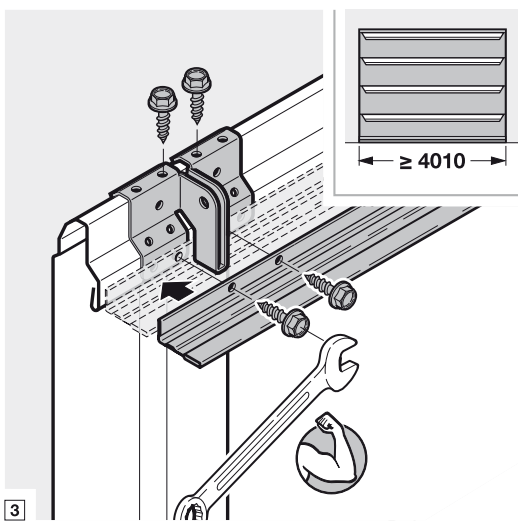
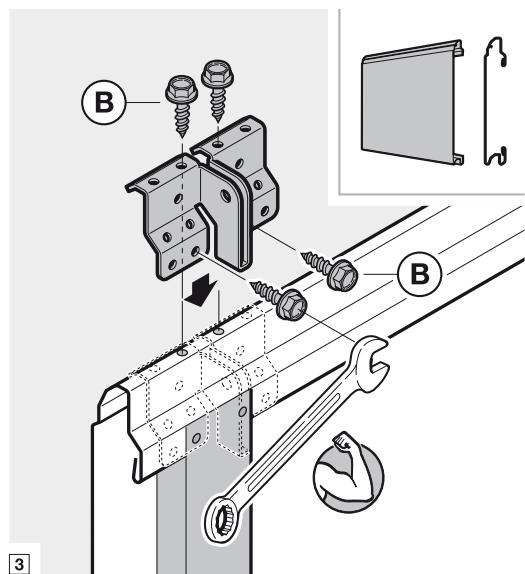
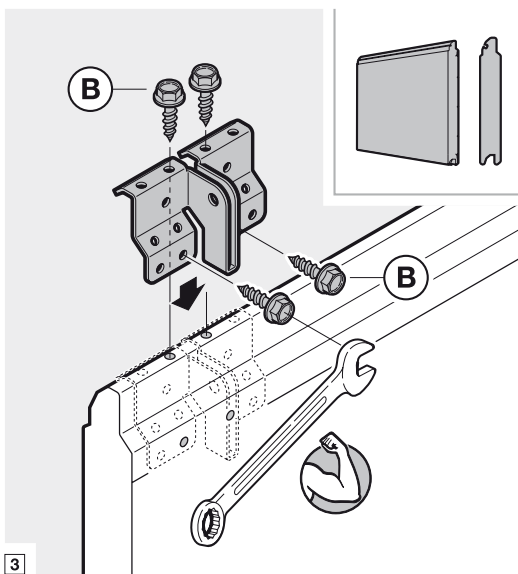
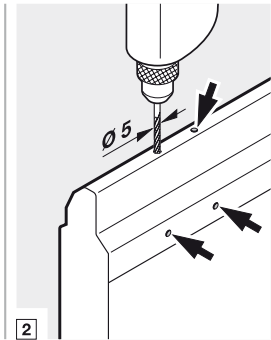
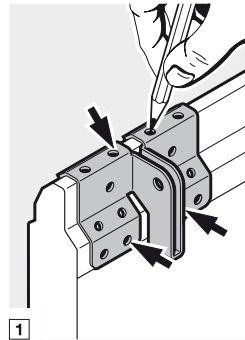
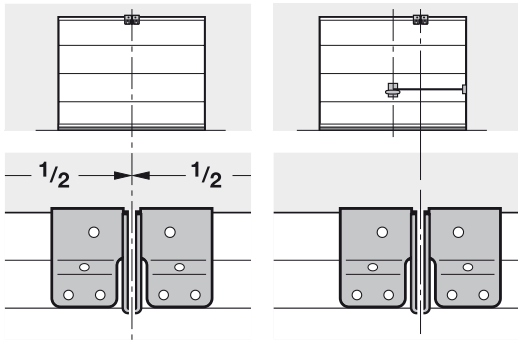
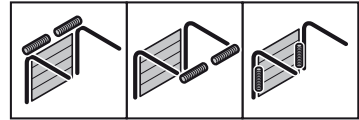


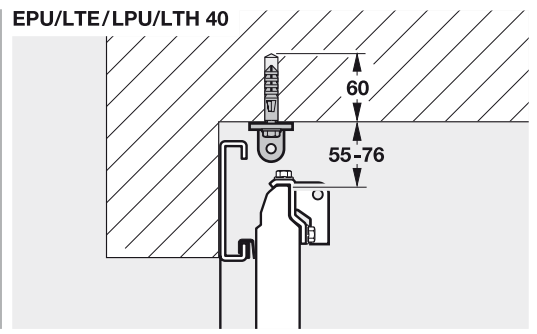
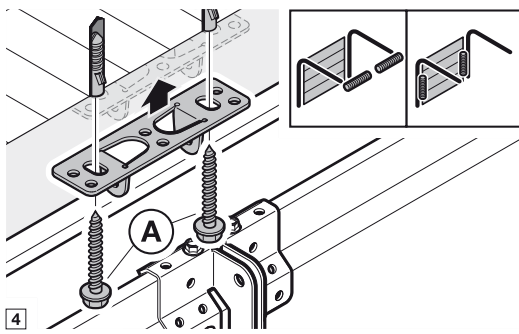
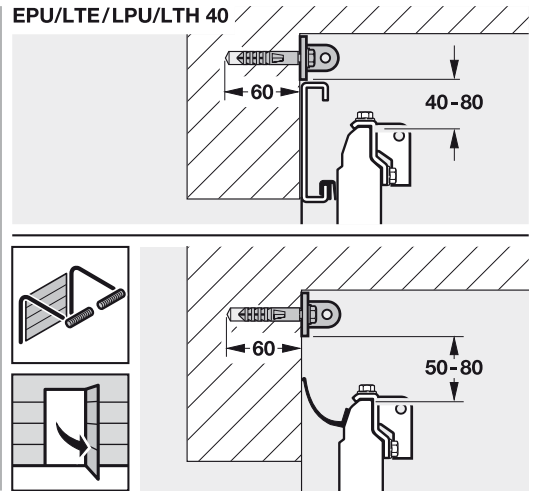
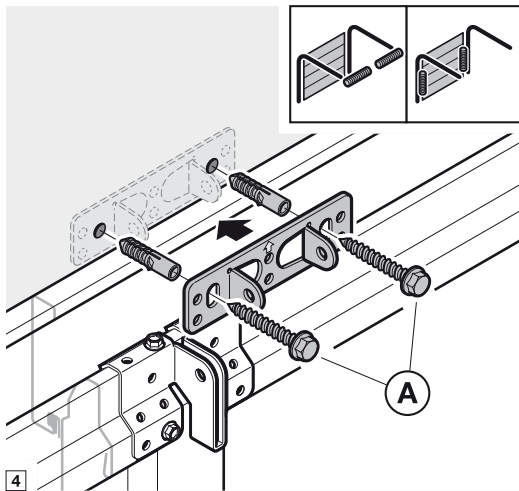
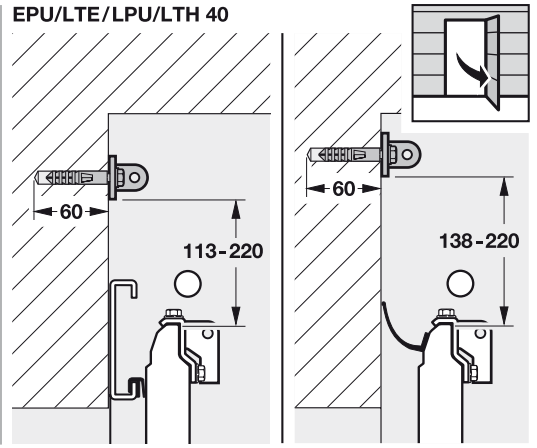
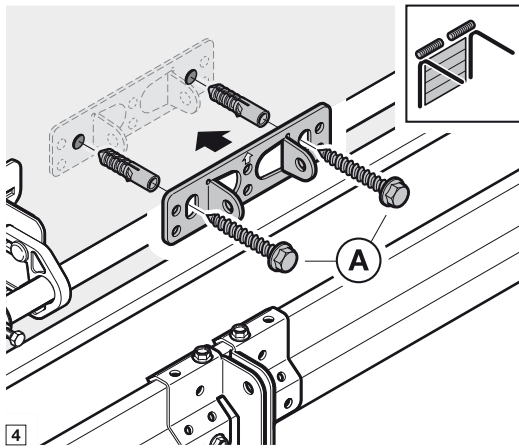
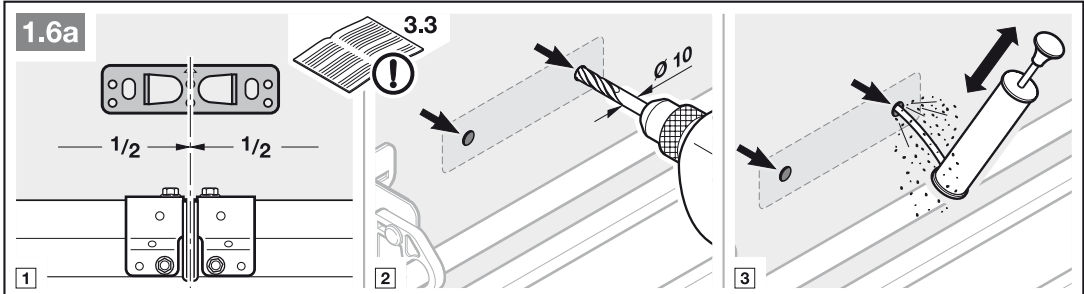


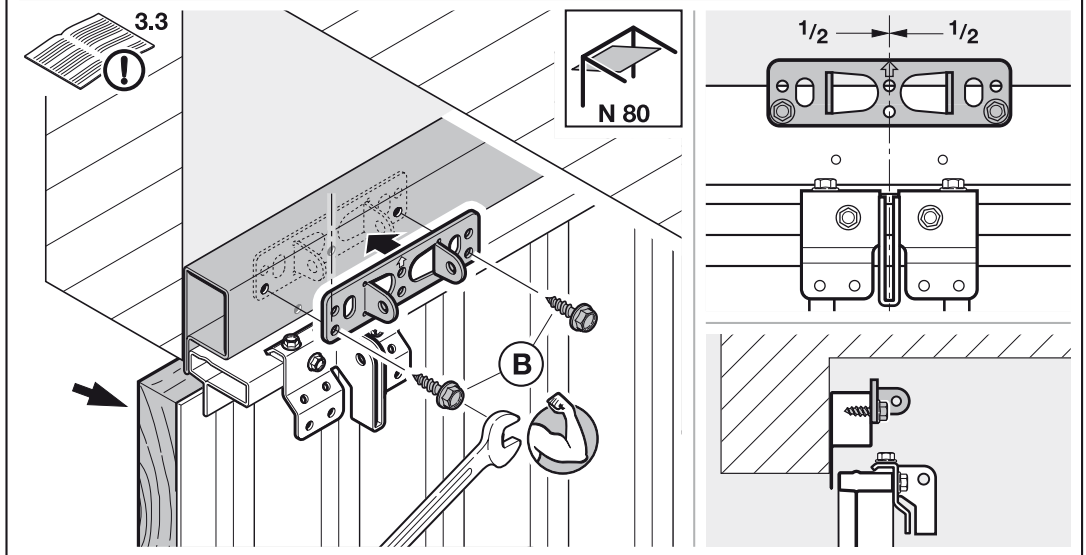
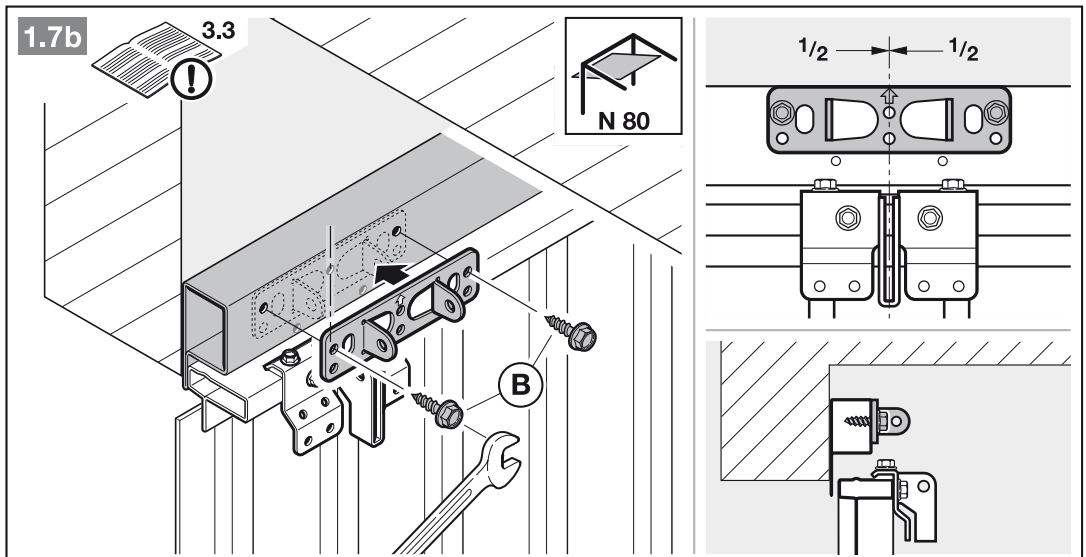
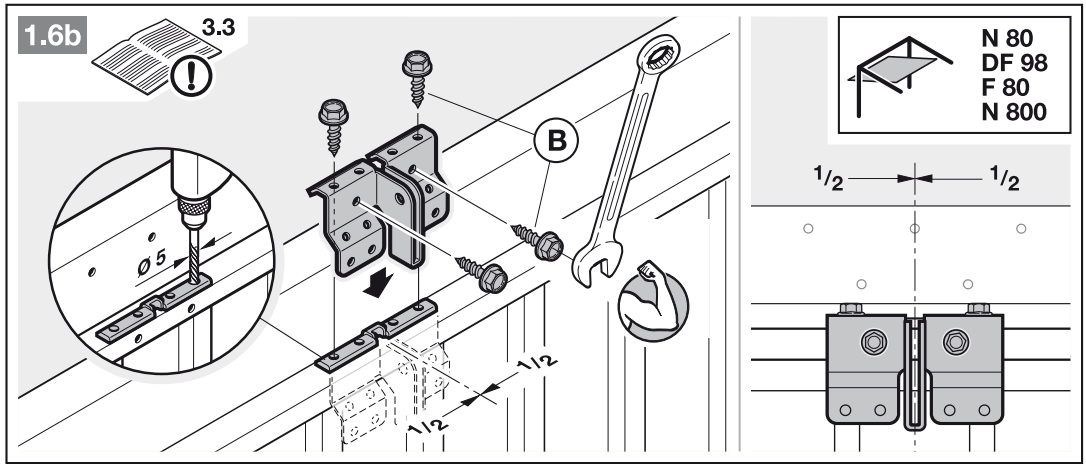


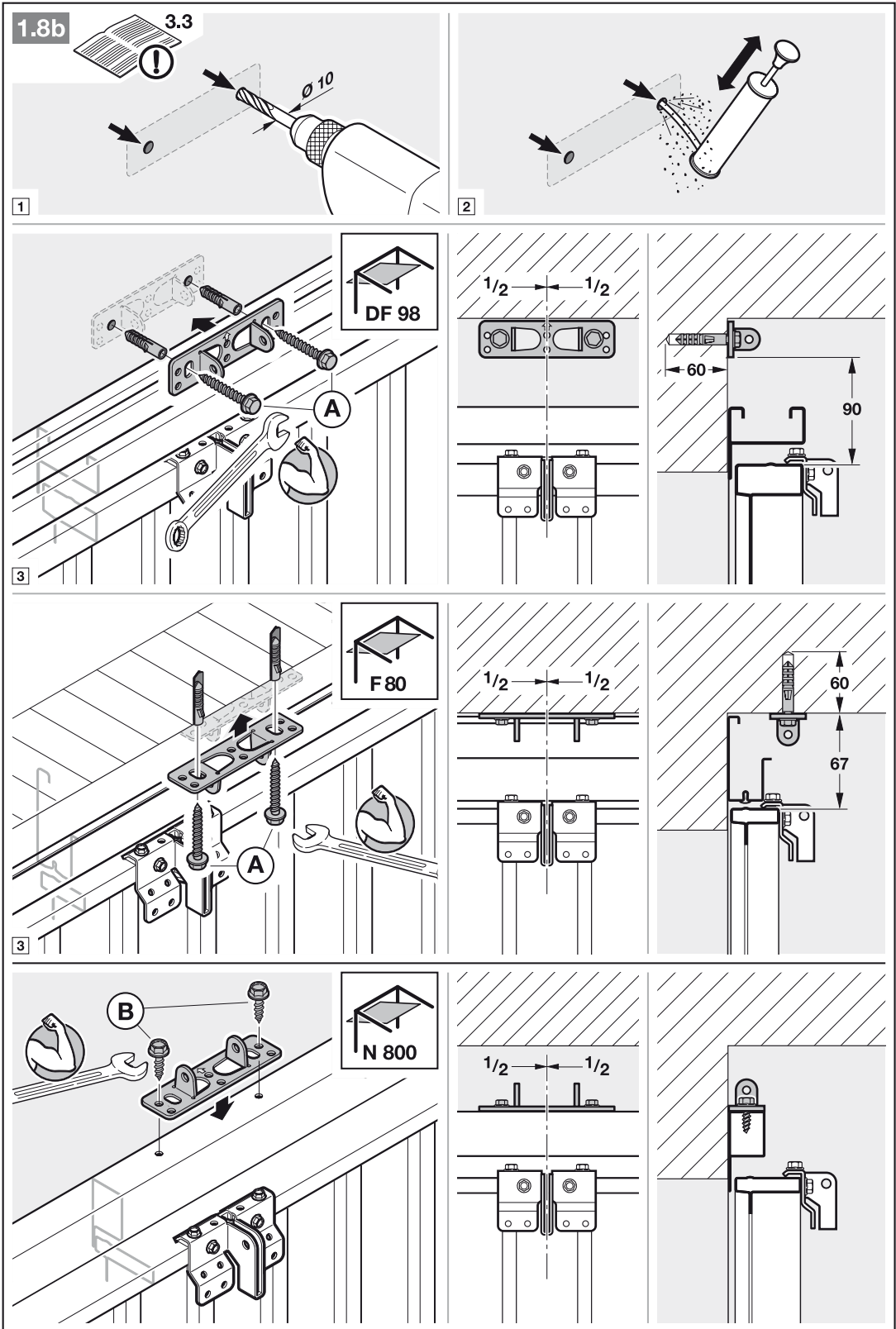
1.5a

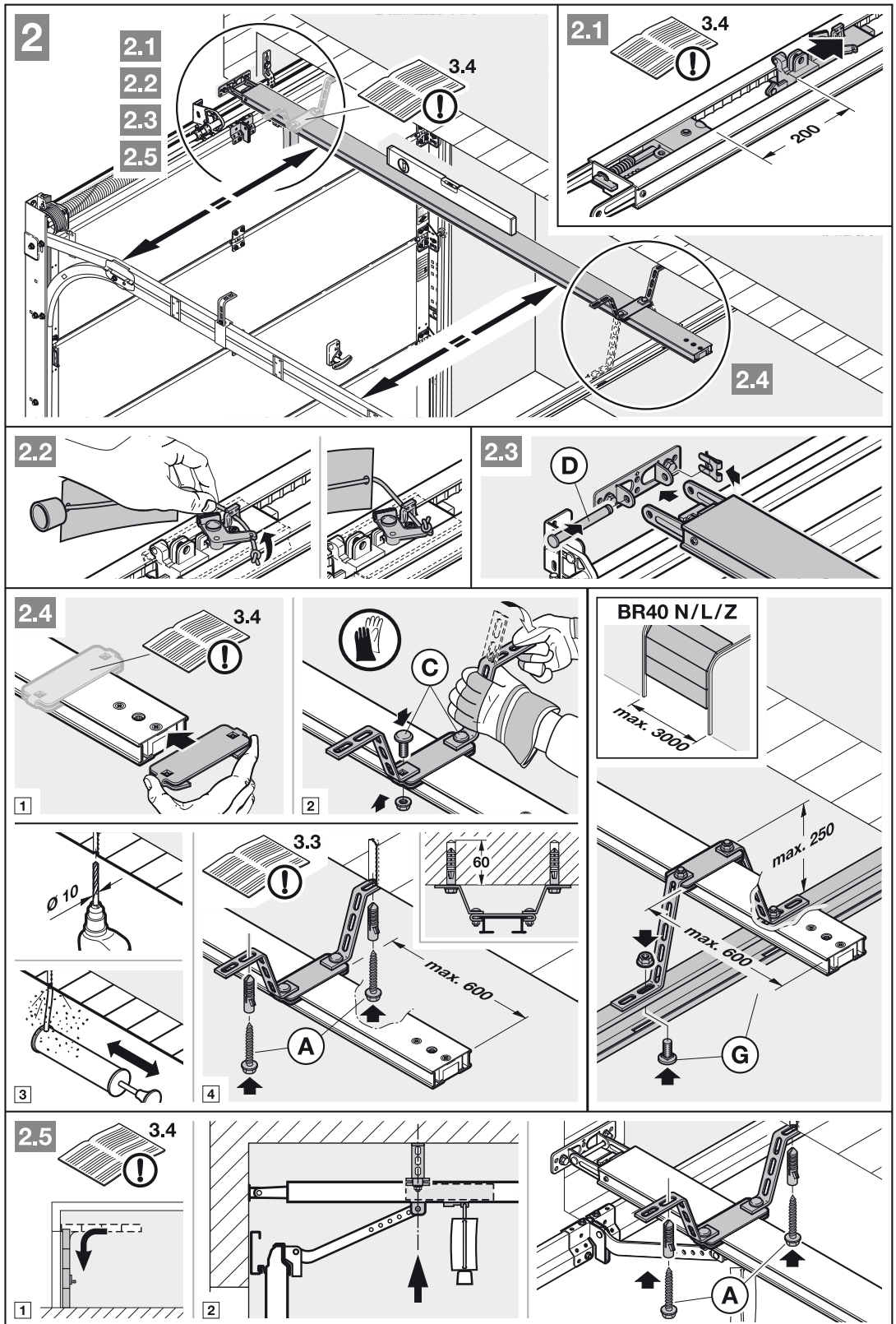
3.3

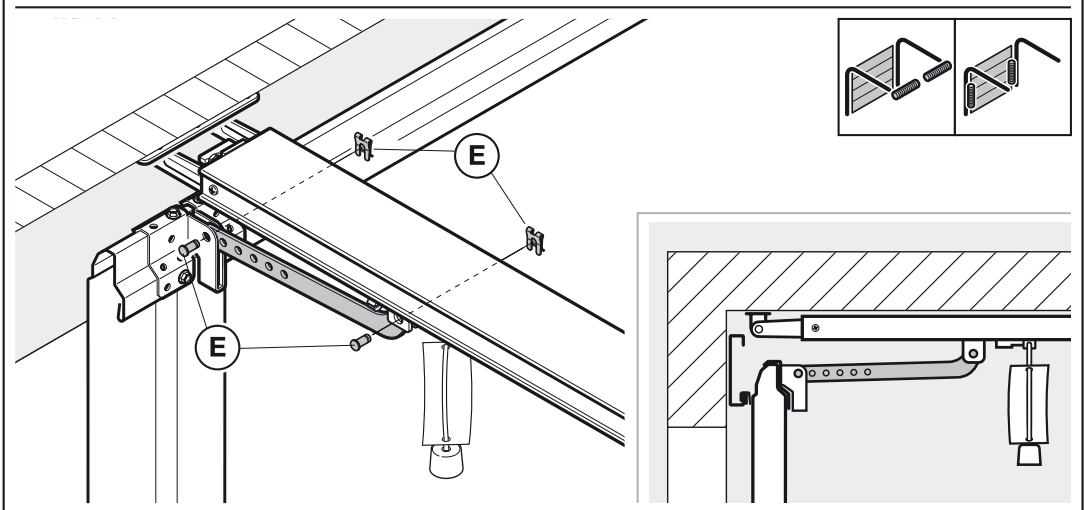
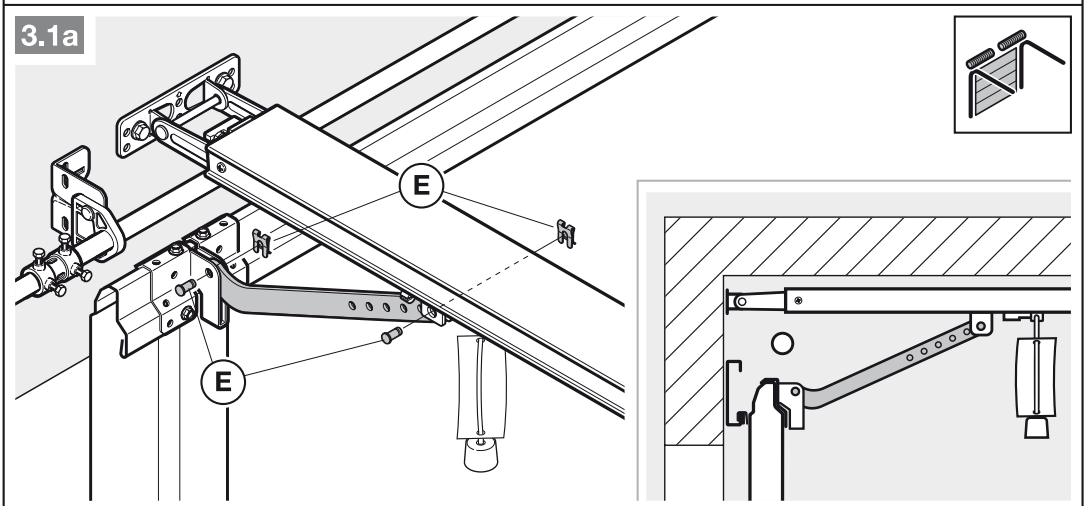
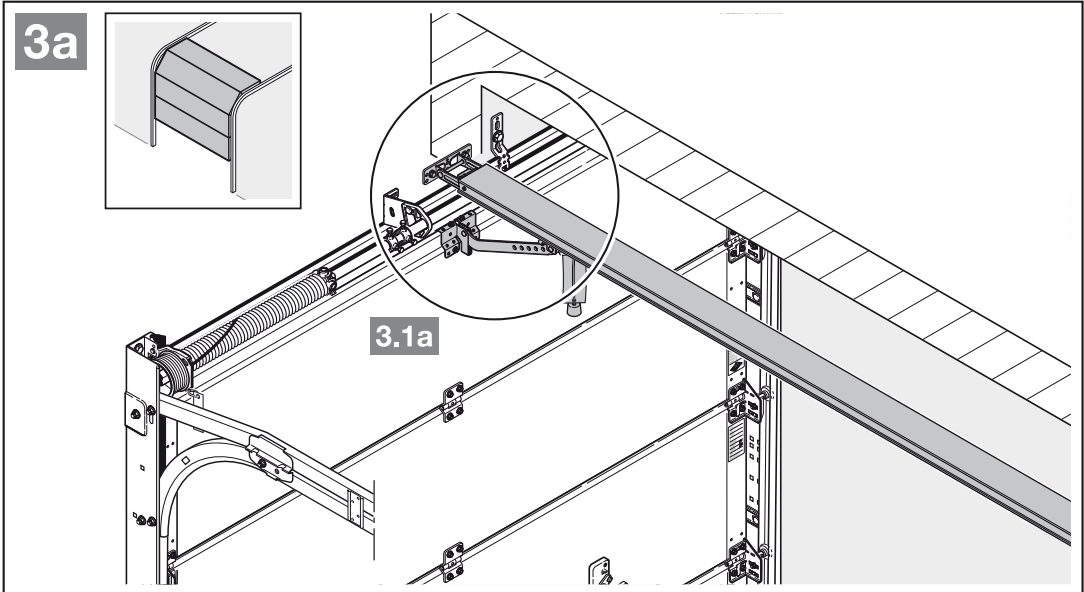




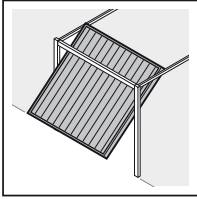




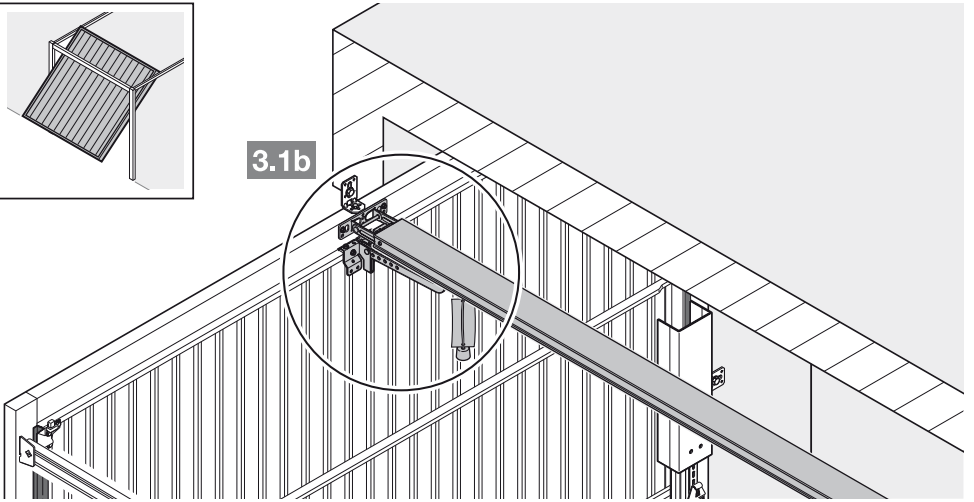




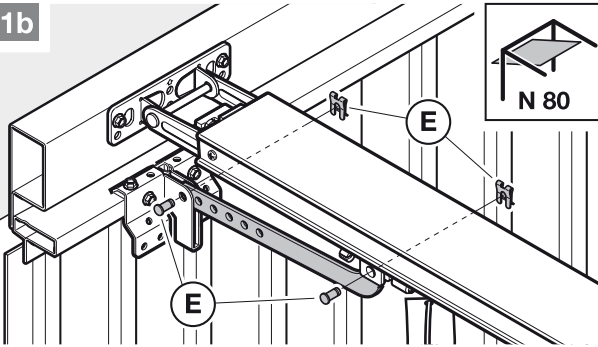
3b



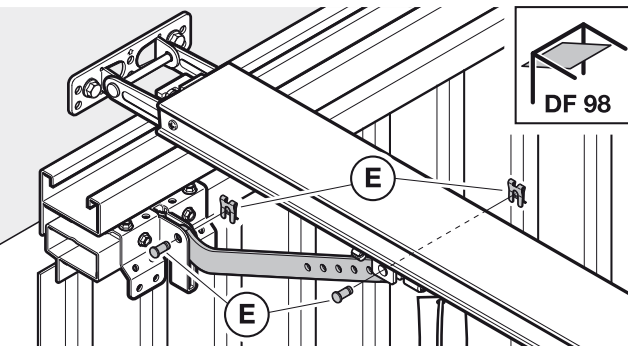
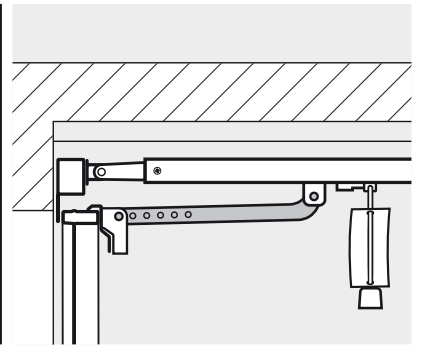
3.1b



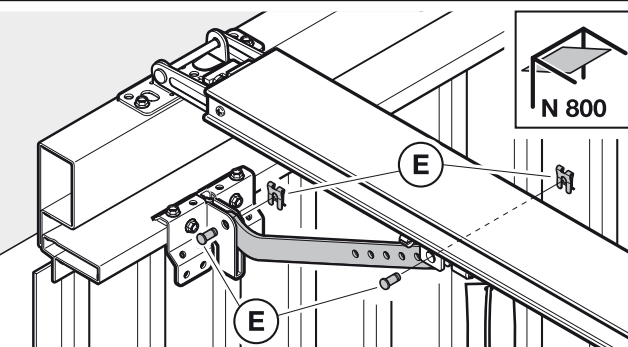
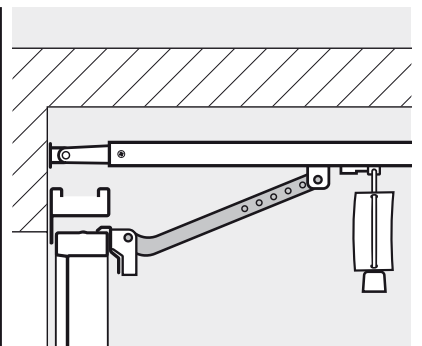
3.1b



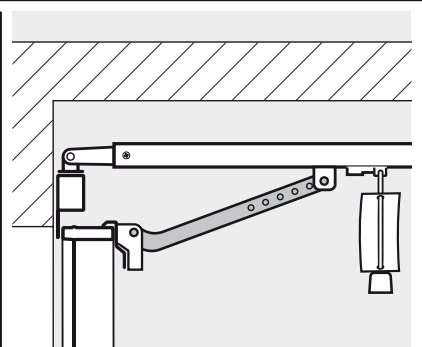
N 80

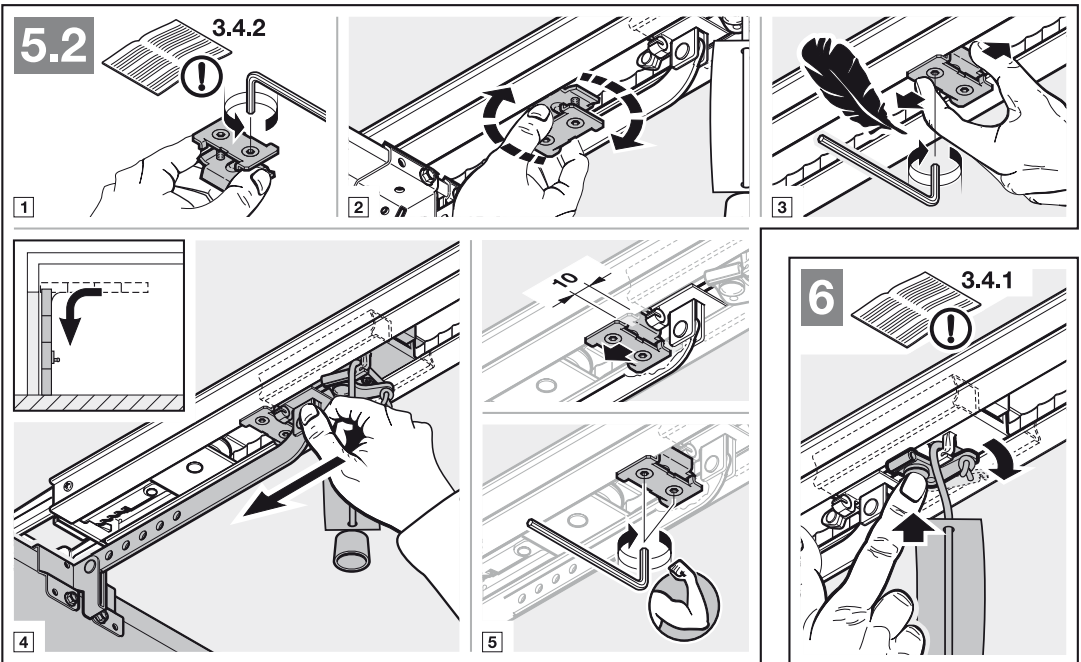
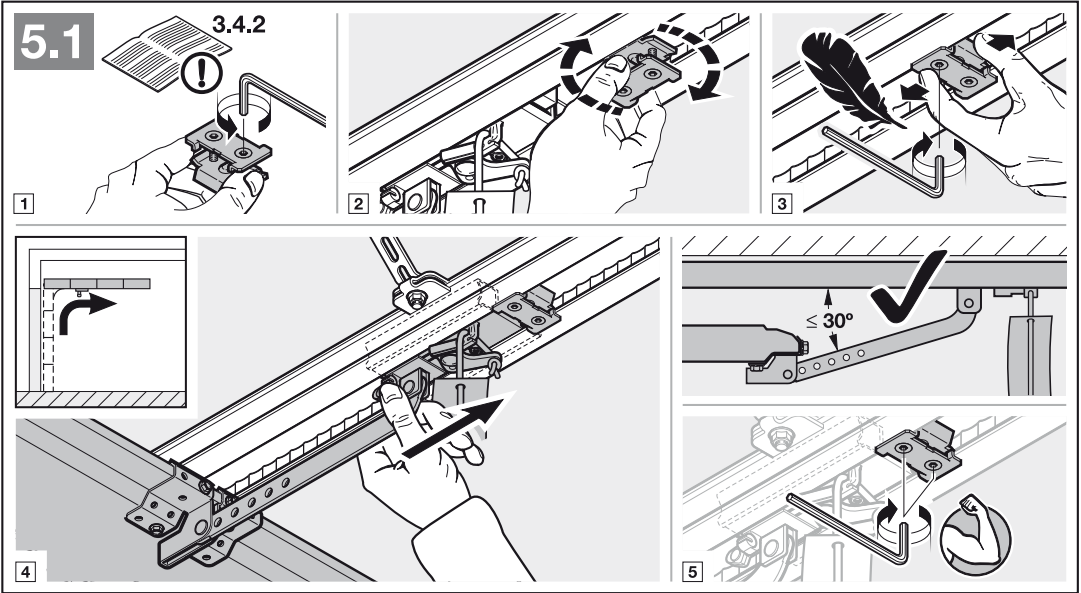
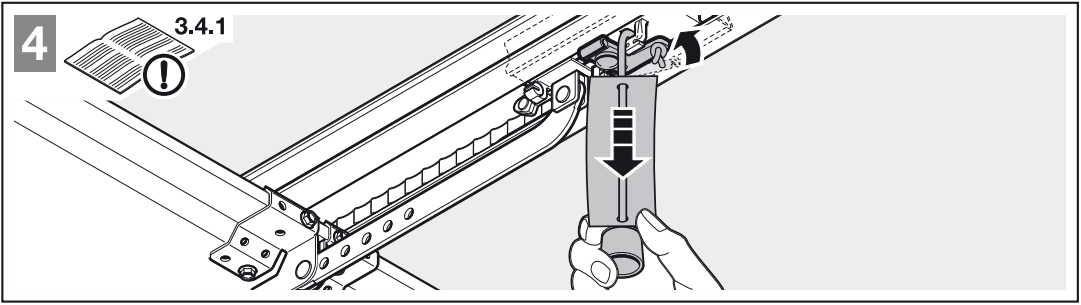


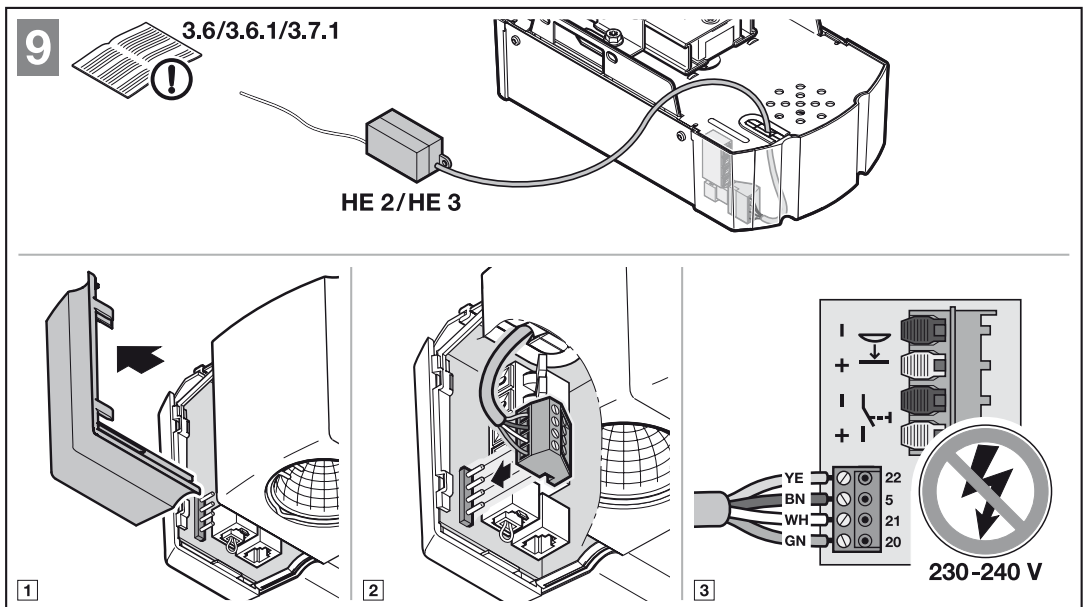
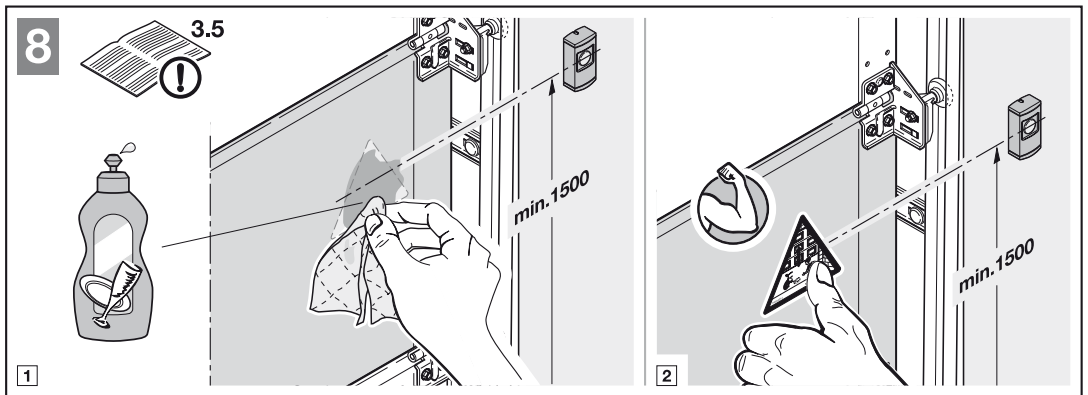
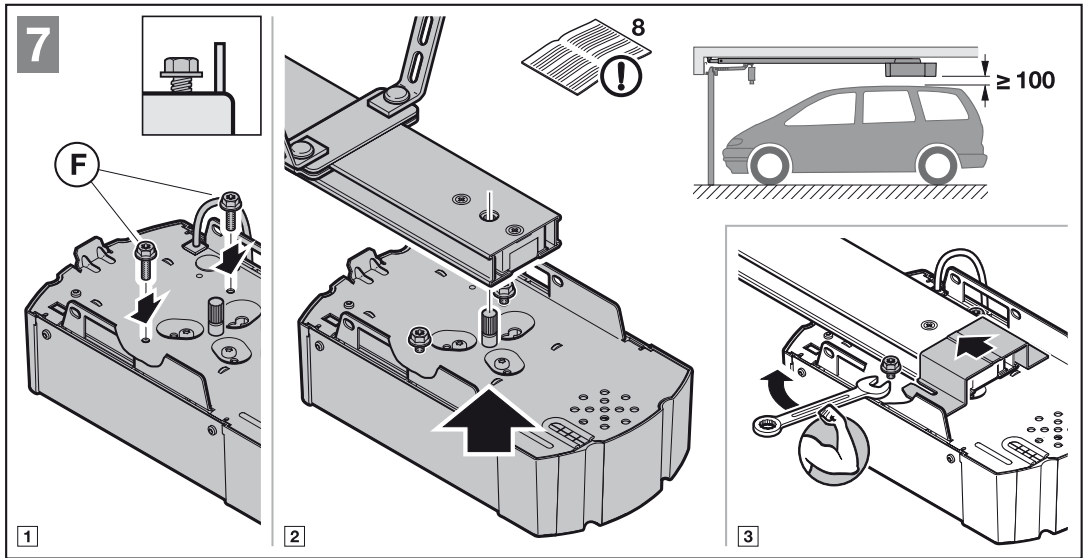
DF 98

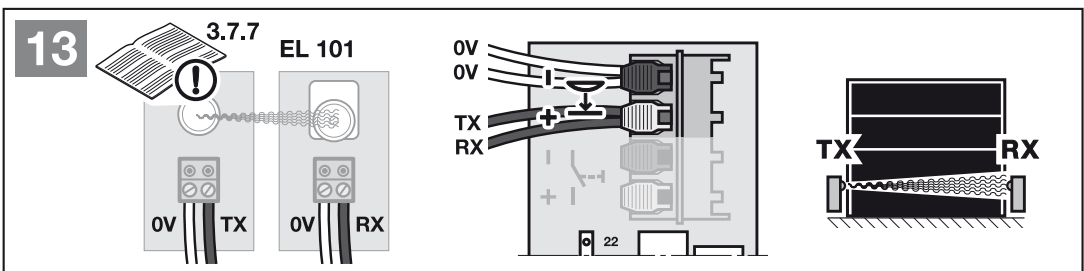
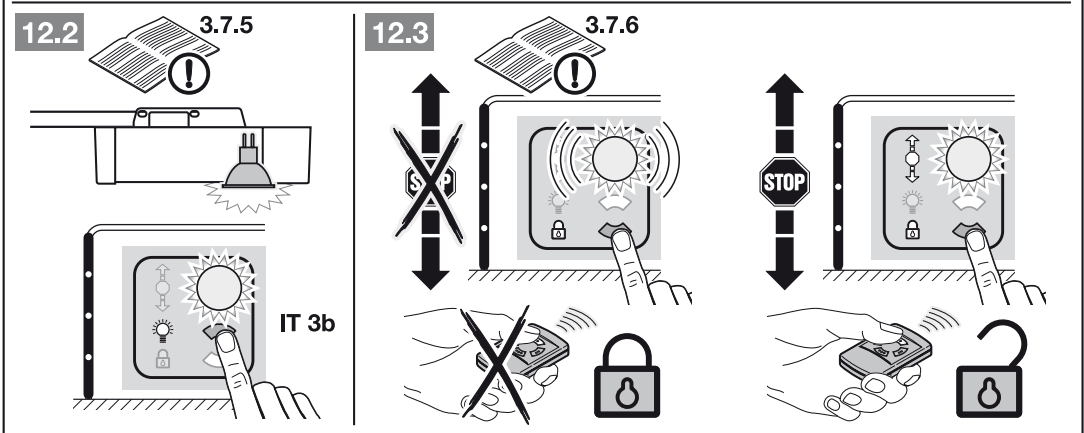
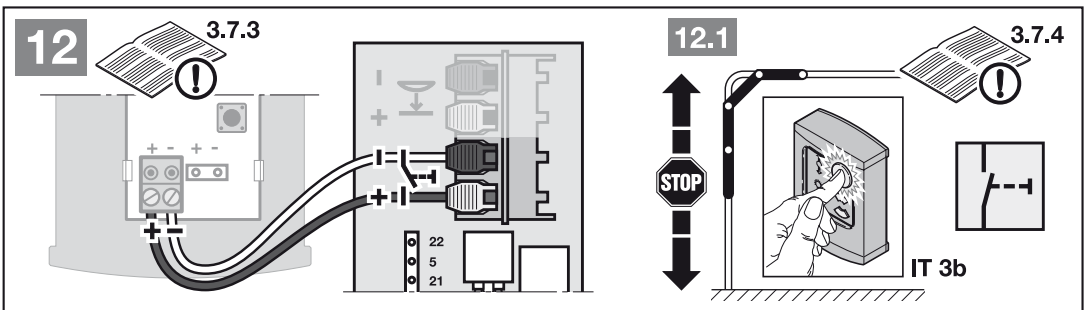
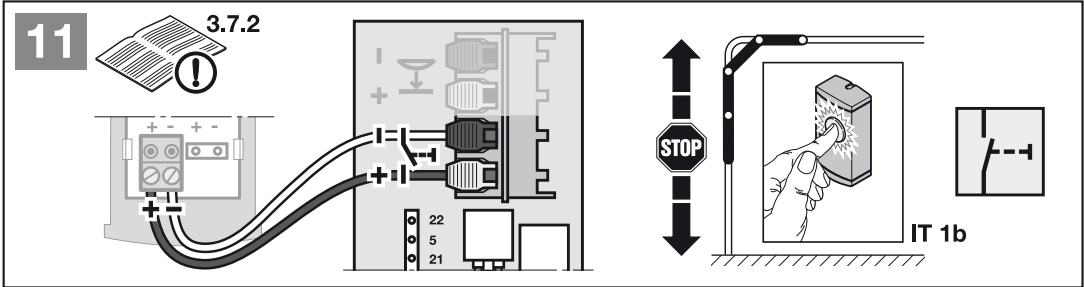
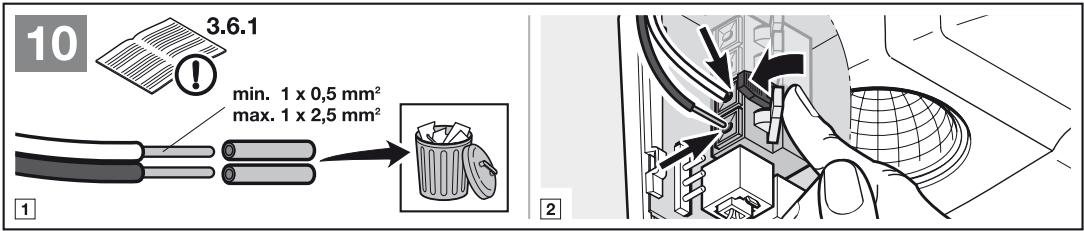


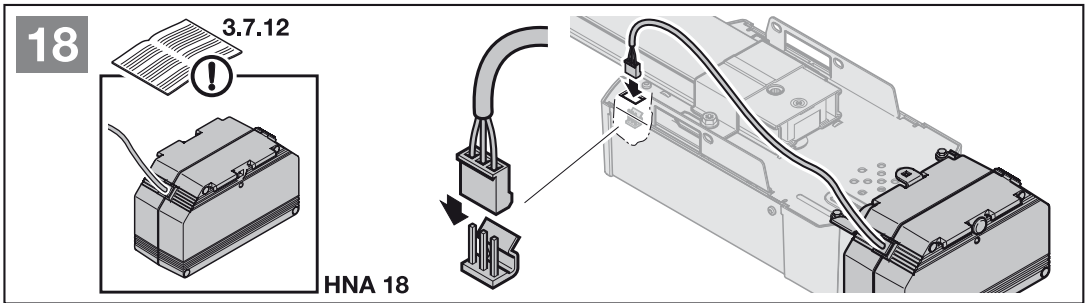
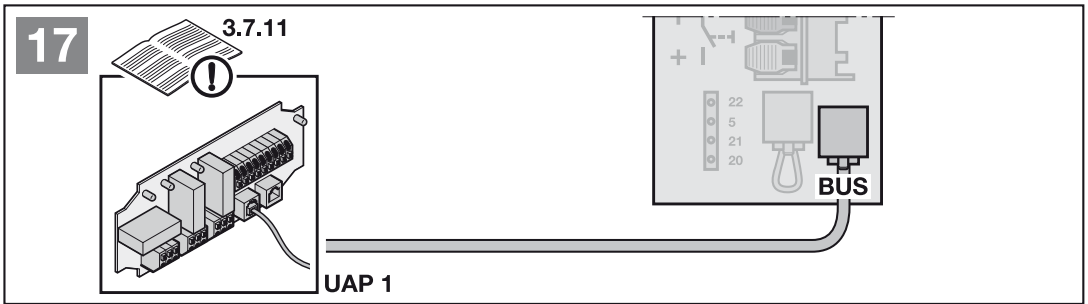
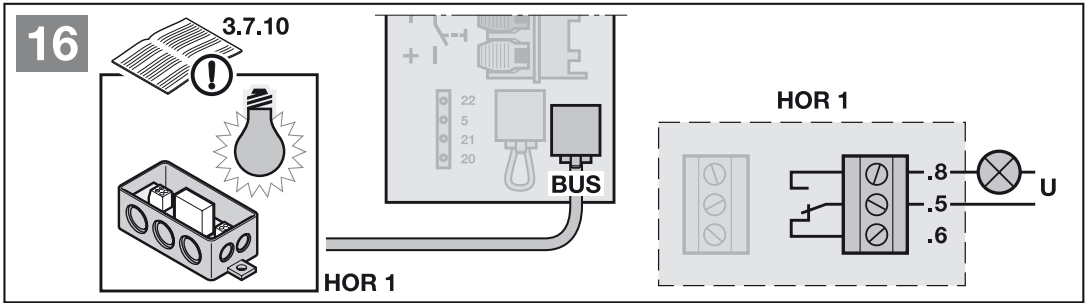
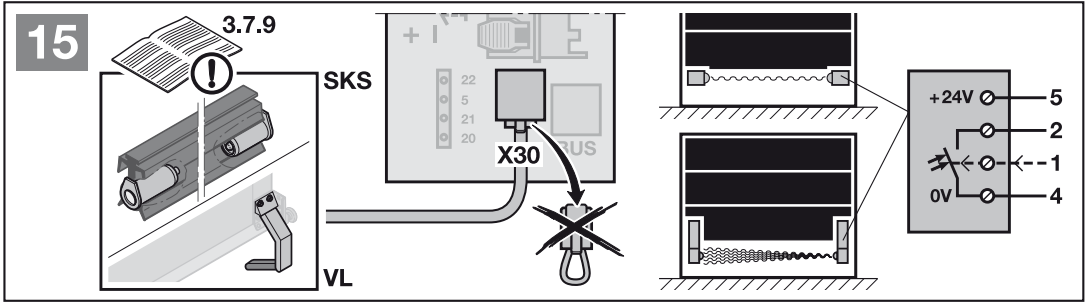
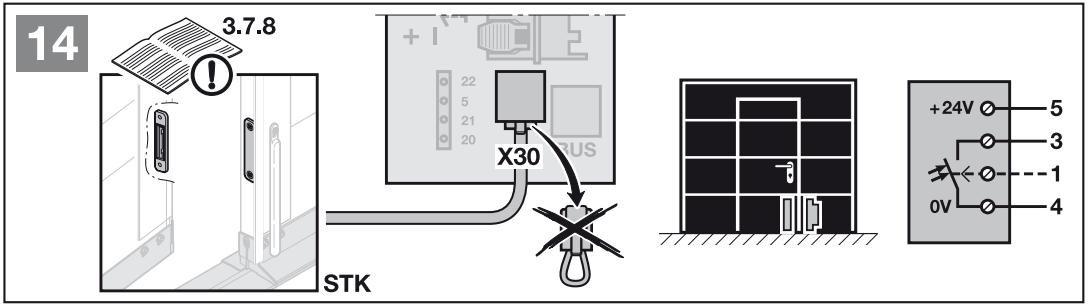
N 800

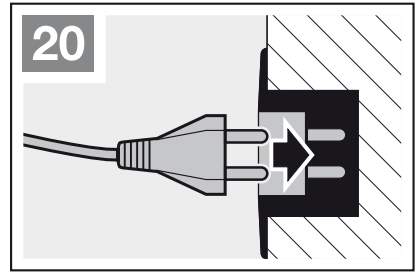
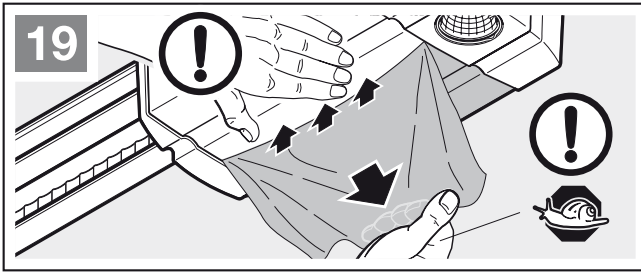












NOTE

The current settings are displayed in the menus by an illuminated decimal point.

REMARQUE

Dans les différents menus, les réglages actuels sont marqués par un point lumineux.



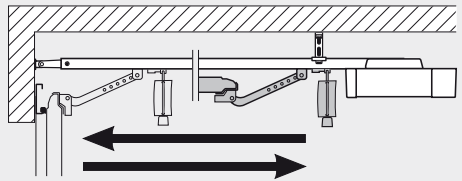
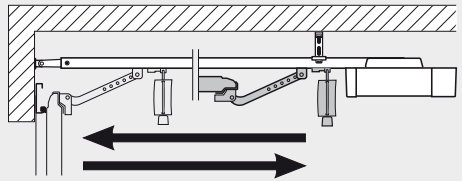
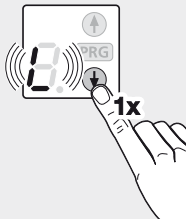
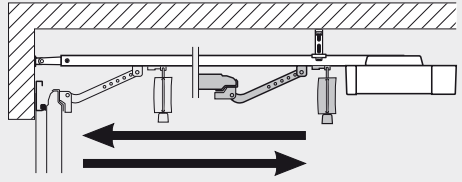
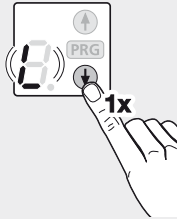
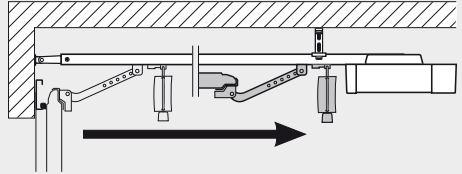
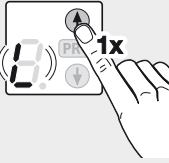
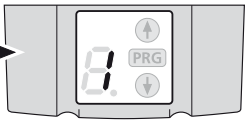
21 ^{4.4}

The diagram illustrates the following steps for setting a value:

- 0:** Press **PRG**, then **PG**, then **RG** (1x), then **PG** (1x).
- 1:** Press **PRG**, then **PG**, then **RG** (5 sec.), then **RG** (3 sec.), then **RG** (1x), then **PG** (1x).
- 2:** Press **PRG**, then **PG**, then **RG** (5 sec.), then **RG** (3 sec.), then **RG** (1x), then **PG** (1x).
- 3:** Press **PRG**, then **PG**, then **RG** (5 sec.), then **RG** (3 sec.), then **RG** (1x), then **PG** (1x).
- 4:** Press **PRG**, then **PG**, then **RG** (5 sec.), then **RG** (3 sec.), then **RG** (1x), then **PG** (1x).

22

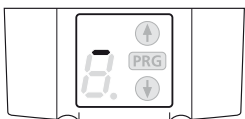
4.5.1



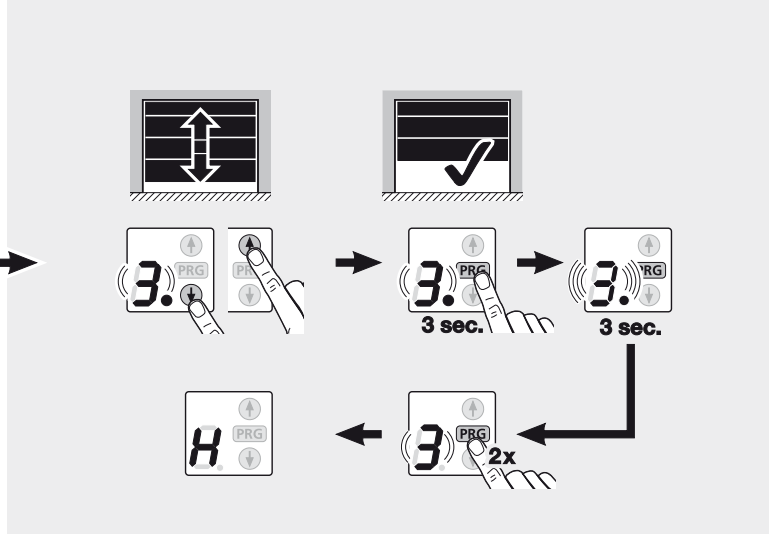
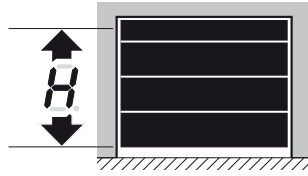
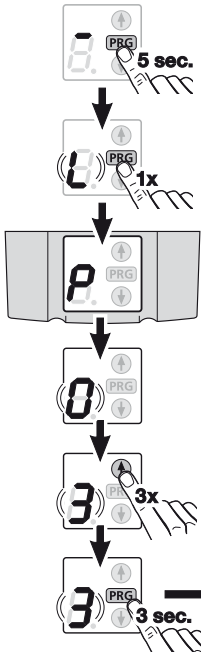
...



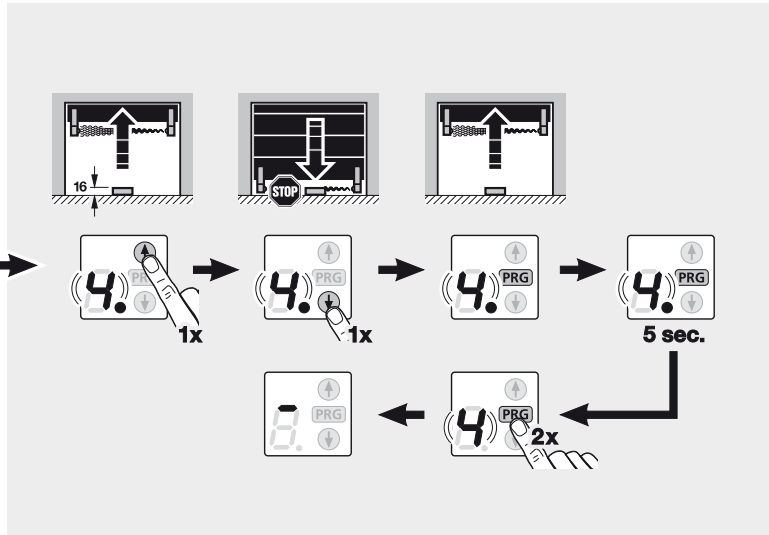
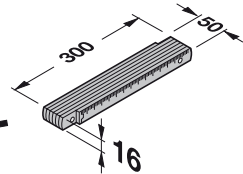
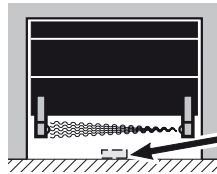
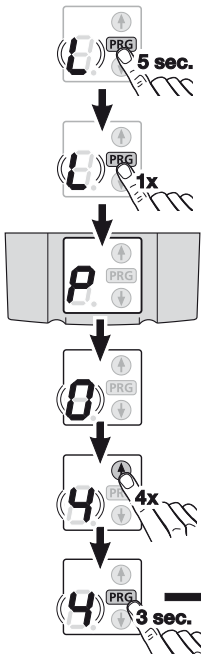
4.5.1



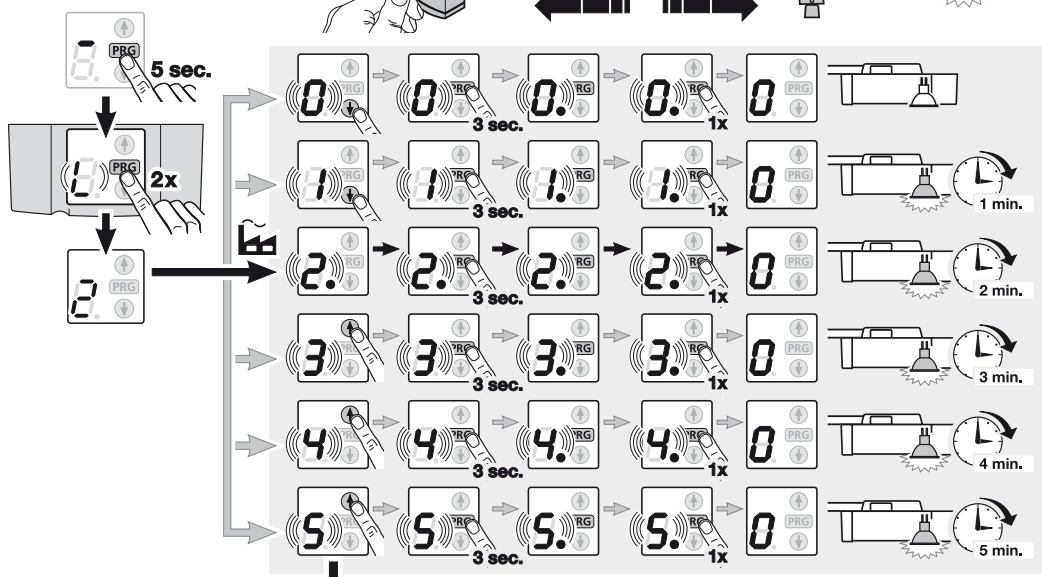
23.1



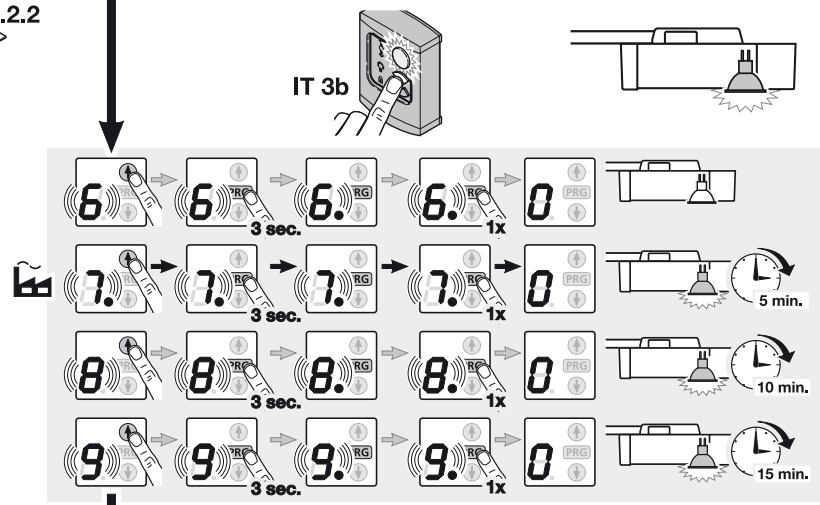
23.2



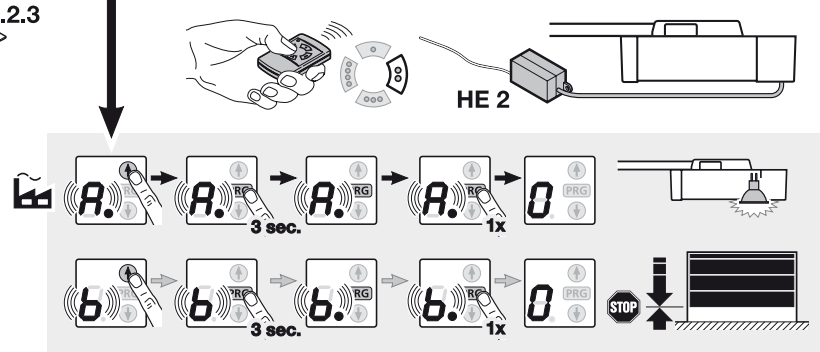
24.1  6.2.1



24.2  6.2.2

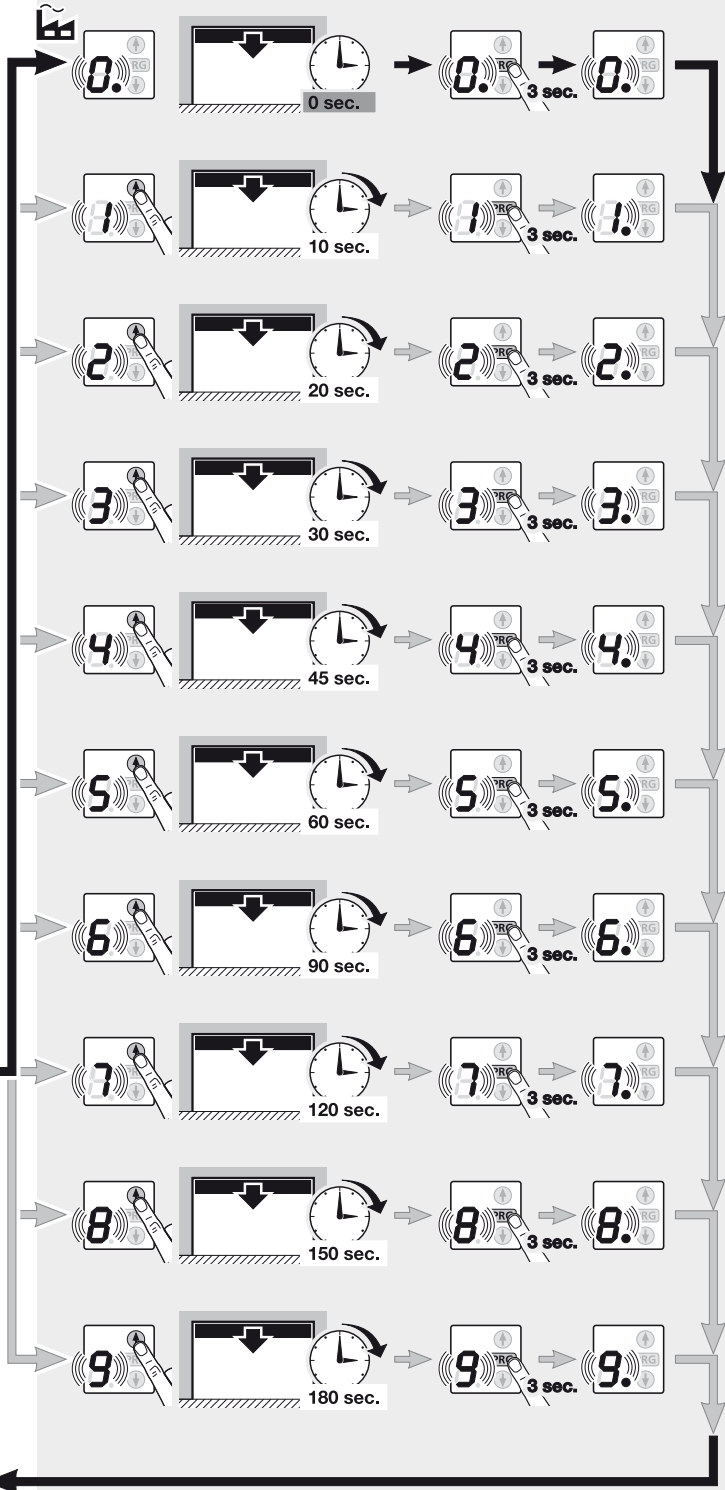
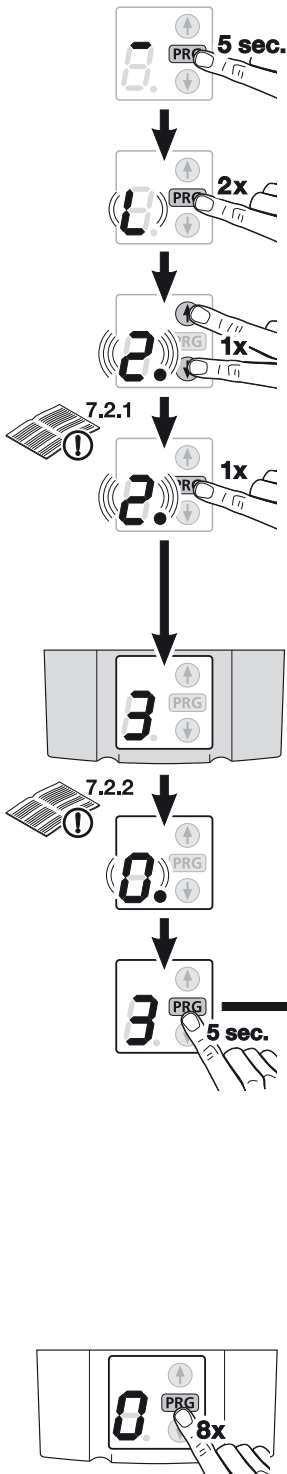


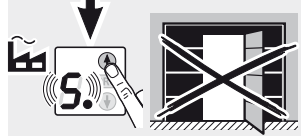
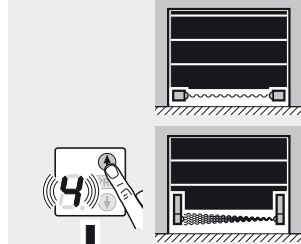
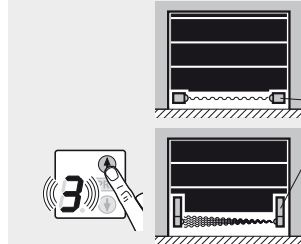
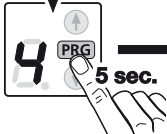
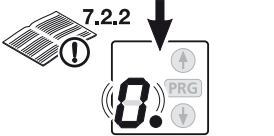
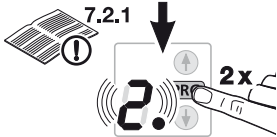
24.3  6.2.3



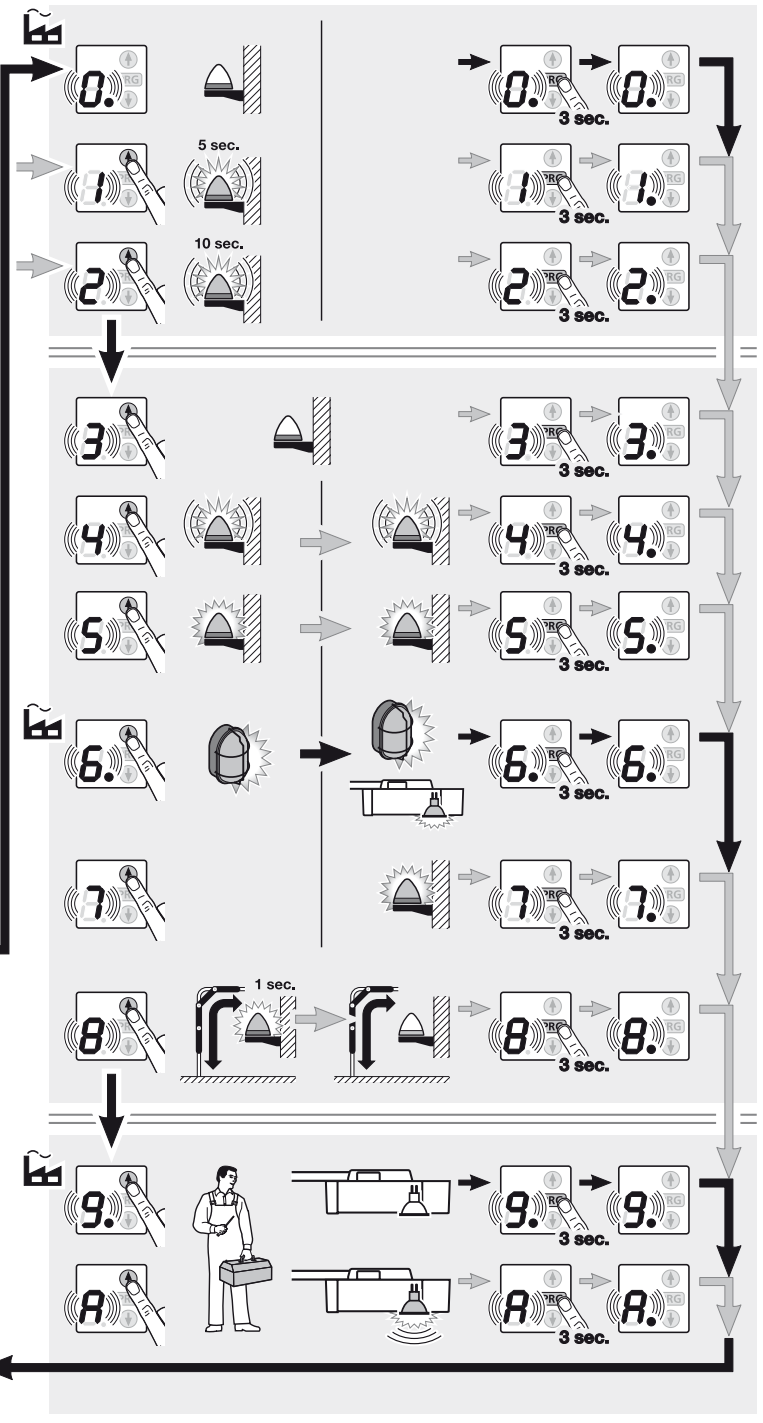
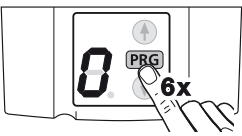
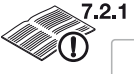
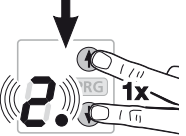
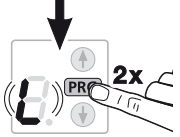
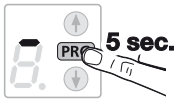
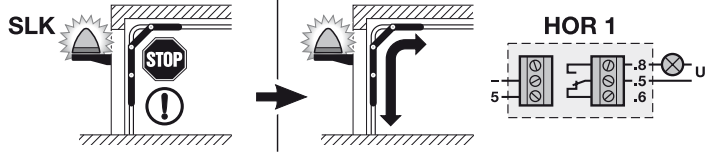
SPECIAL MENUS
MENUS SPECIAUX

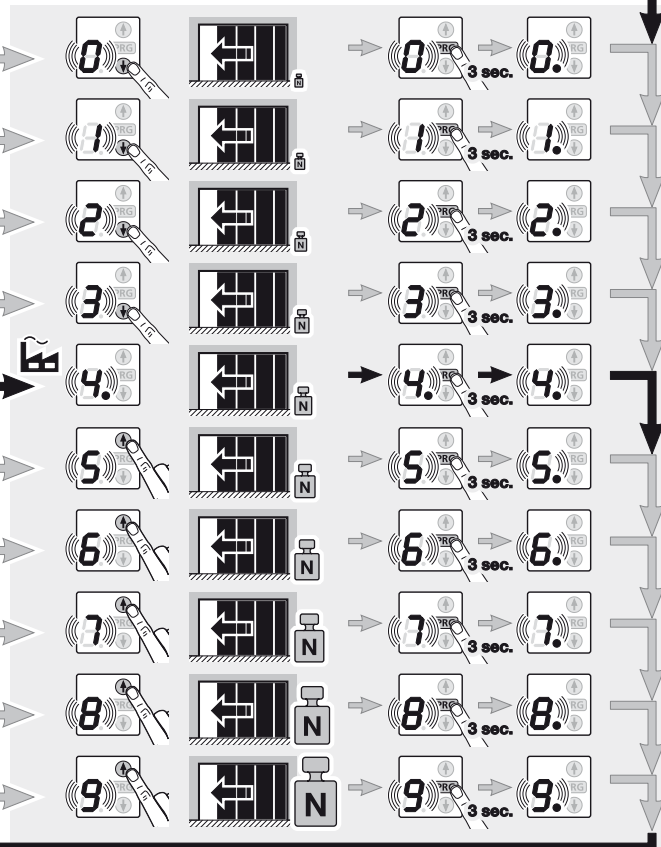
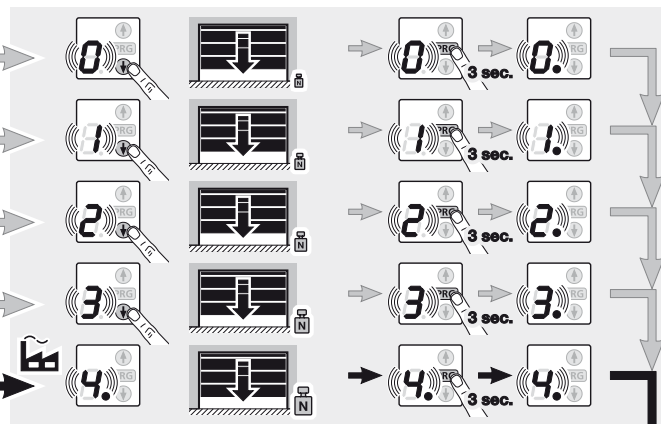
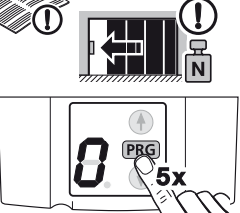
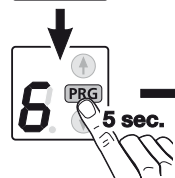
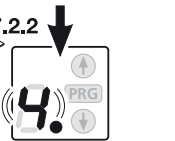
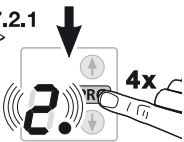
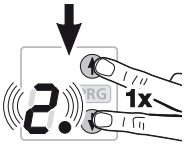
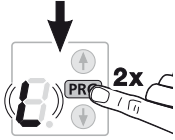
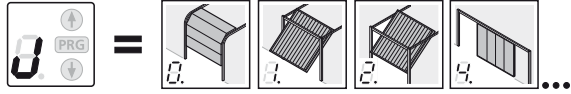




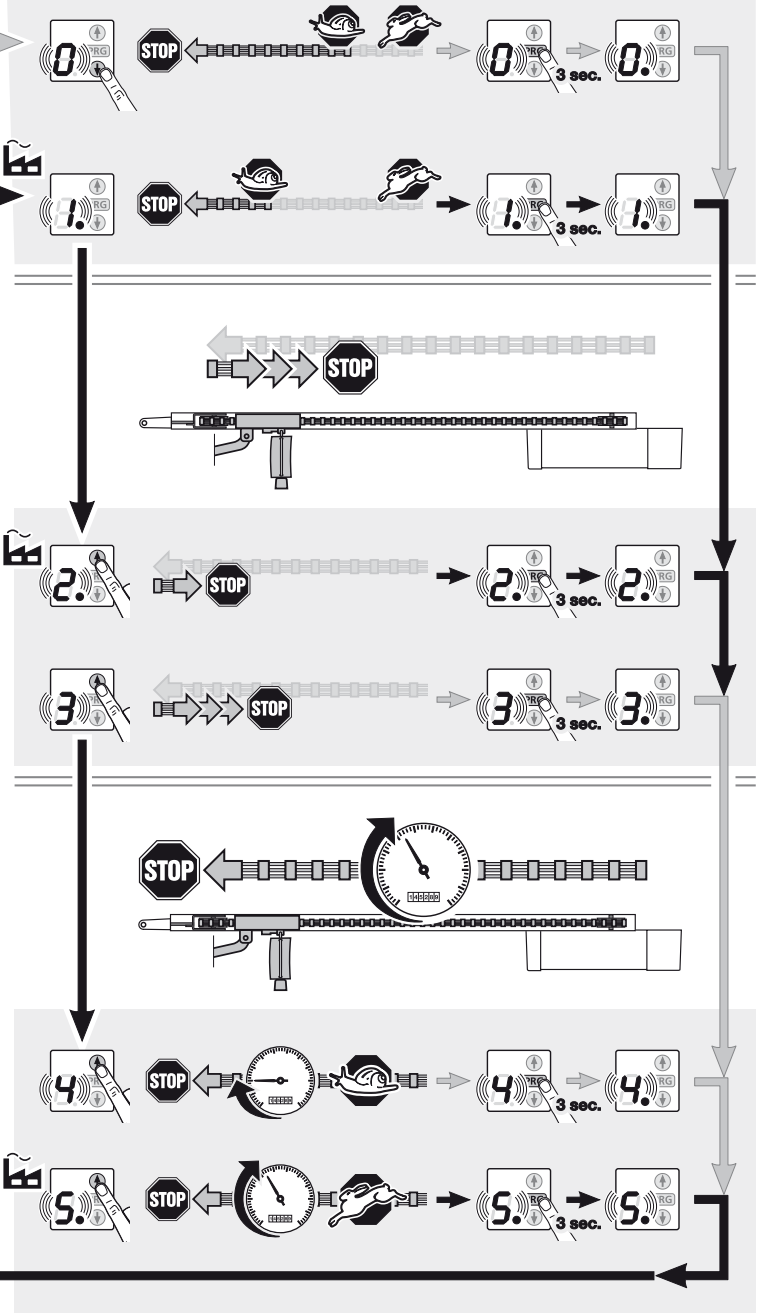
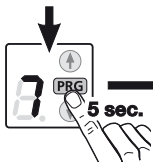
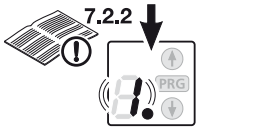
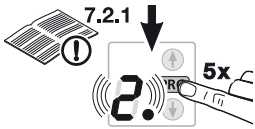
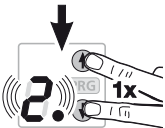
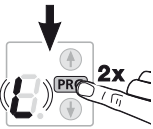
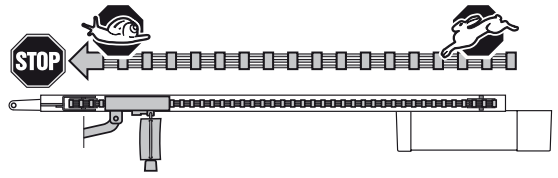
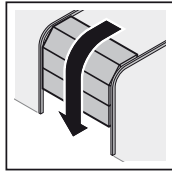


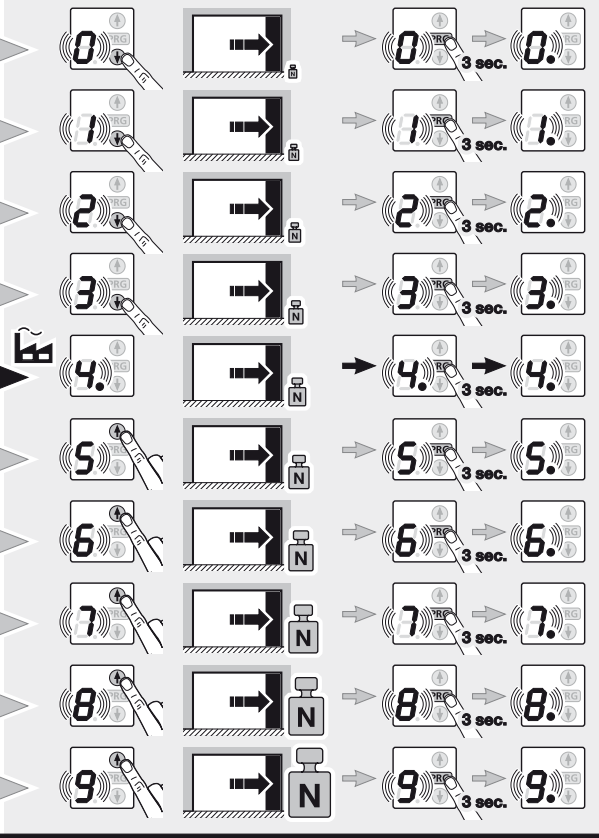
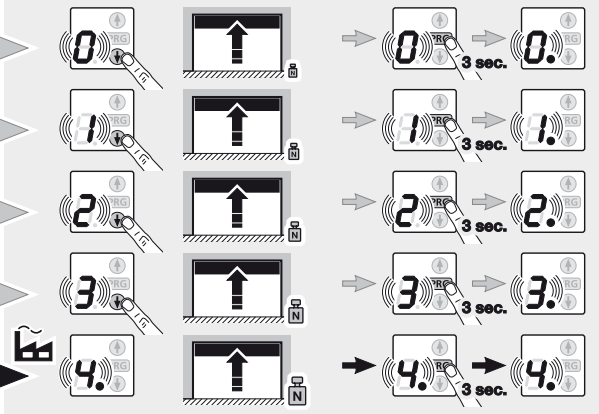
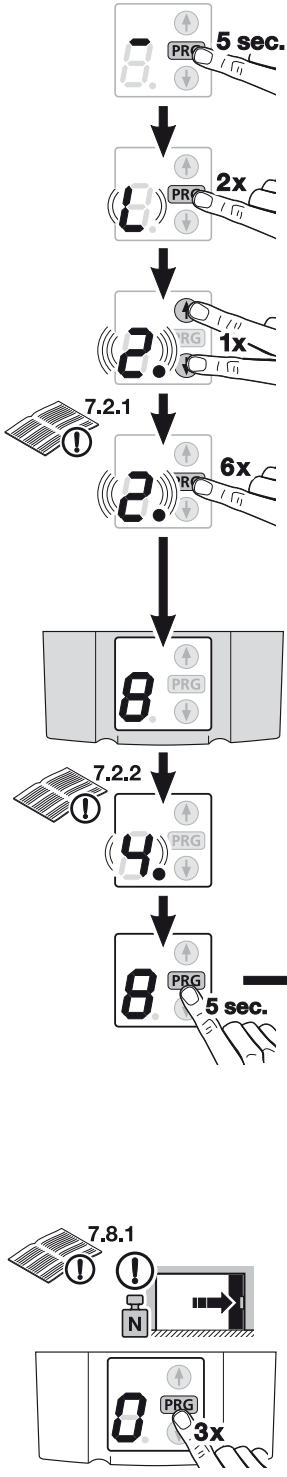
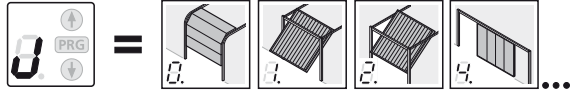
27

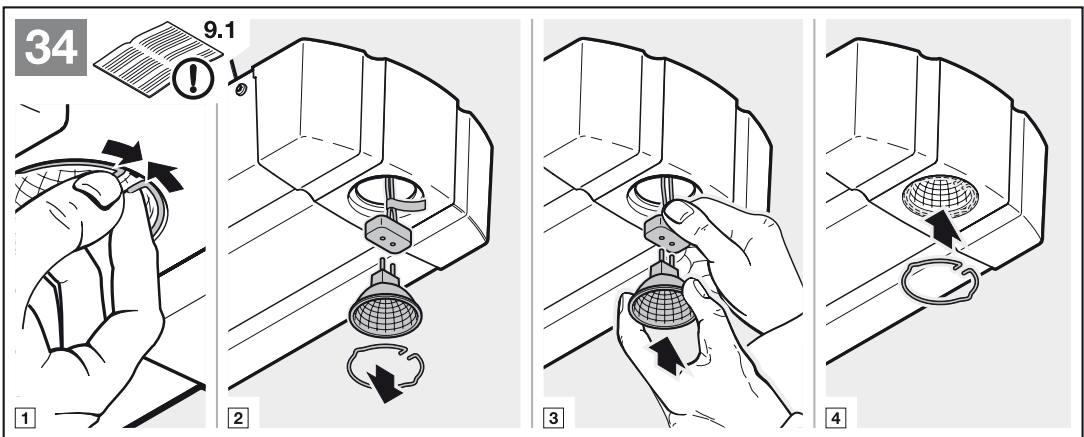
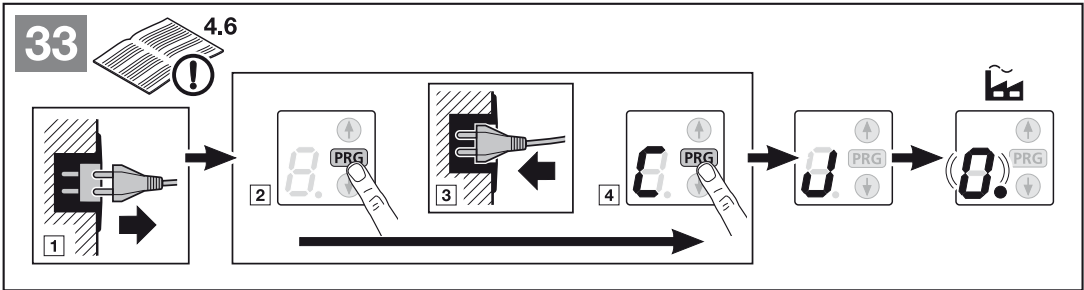
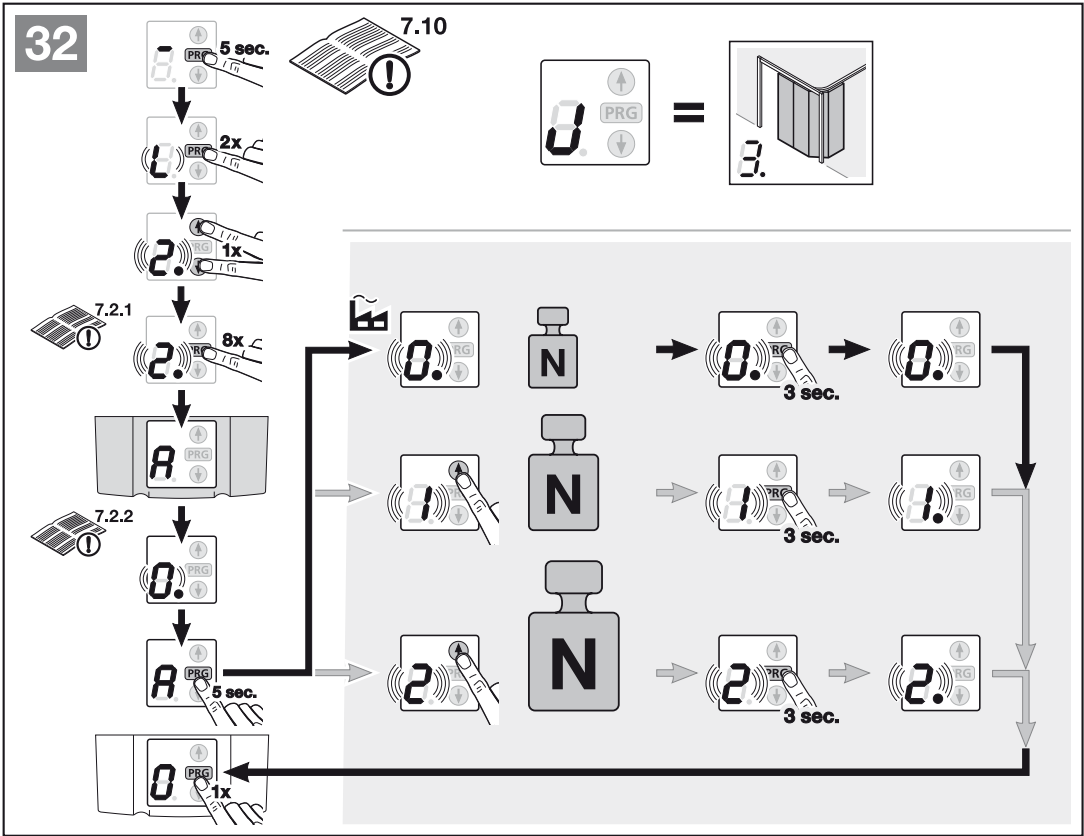




29









TR10A020-B RE / 07.2010

SupraMatic

HÖRMANN KG Verkaufsgesellschaft
Upheider Weg 94-98
D-33803 Steinhagen
www.hoermann.com